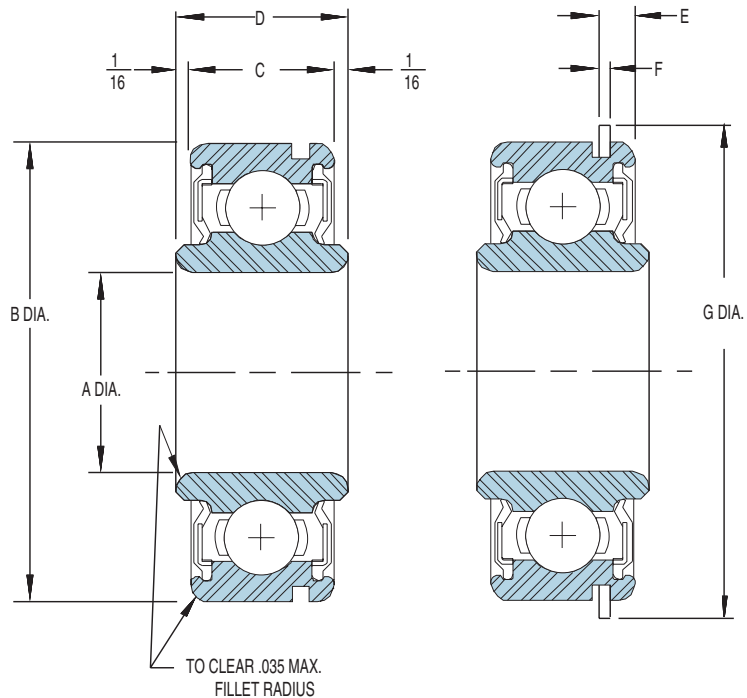


8600 Extra Light Inch Series

EXTENDED INNER RING



This retainer-type, extra light, inch series bearing with extended inner ring, has a snap ring groove. The snap ring allows for easy positioning during mounting and eliminates costly machining operations. Ground raceways are 52100 chrome steel material with steel retainers. Maximum recommended speed is 5000 RPM. Bearings are factory lubricated and sealed.



BASIC BEARING NUMBER		OUTSIDE DIAMETER B		WIDTH C OUTER	WIDTH D INNER RING	RING	E	F	BASIC G	BASIC STATIC LOAD (lbs)	DYNAMIC LOAD ¹ (lbs)	WEIGHT (lbs)
	WITH SNAP RING	BORE A +.0000 -.0005	inch									
7508DL	7508DLG	.5000	1.7500	-.0005	.625	.750	.136	.042	1.921	707	1366	.30
7510DL	7510DLG	.6250	1.7500	-.0005	.625	.750	.136	.042	1.921	707	1366	.28
7512DL	7512DLG	.7500	1.7500	-.0005	.625	.750	.136	.042	1.921	707	1366	.25
7514DL	7514DLG	.8750	2.0000	-.0006	.625	.750	.136	.042	2.156	1096	2040	.32
7516DL	7516DLG	1.0000	2.0000	-.0006	.625	.750	.136	.042	2.156	1096	2040	.29
7518DL	7518DLG	1.1250	2.5625	-.0006	.750	.875	.190	.065	2.844	1831	3070	.65
7520DL	7520DLG	1.2500	2.5625	-.0006	.750	.875	.190	.065	2.844	1831	3070	.60

¹ Dynamic Loads are based on 1 million revolutions.

PART NUMBER NOMENCLATURE EXAMPLE:
 8601-88 (7508 DL) – Snap Ring Groove only
 S8601-88 (7508 DLG) – Snap Ring