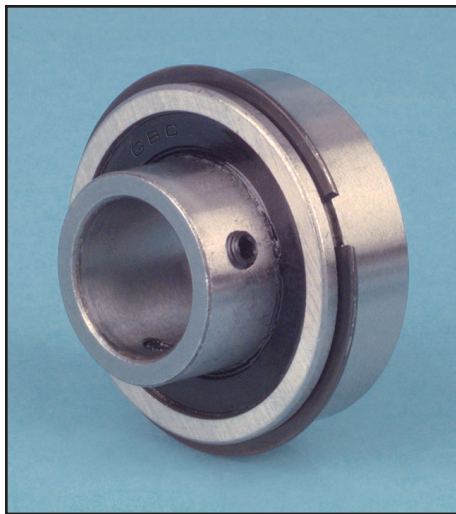
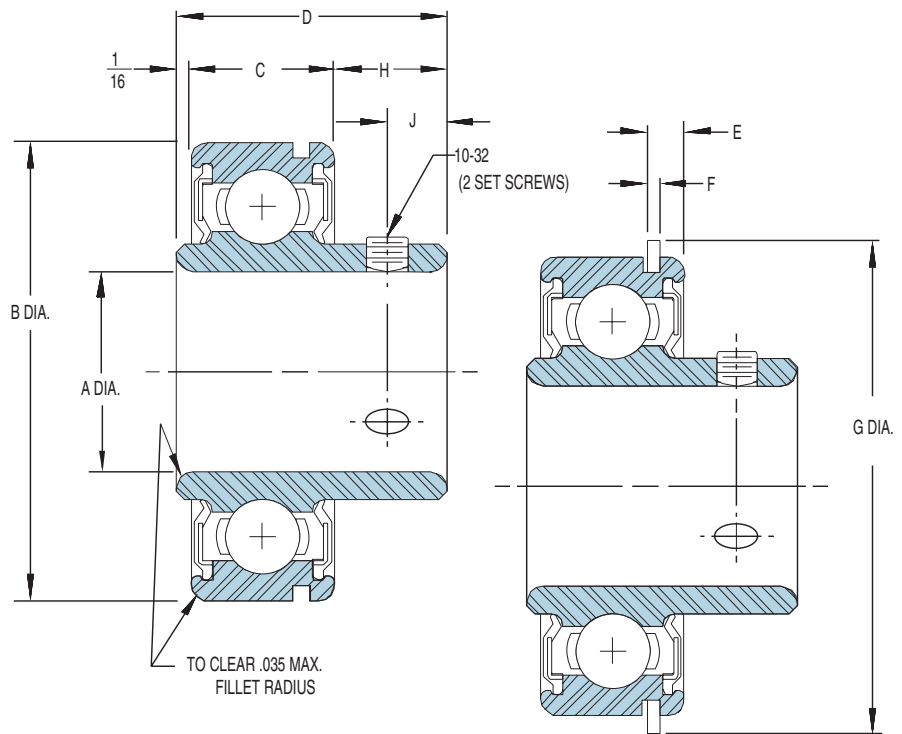


8700 Extra Light Inch Series

EXTENDED INNER RING AND SET SCREWS



This retainer-type, extra light, inch series bearing with extended inner ring, has a snap ring groove. The snap ring allows for easy positioning during mounting and eliminates costly machining operations. Ground raceways are 52100 chrome steel material with steel retainers. The extended inner ring is equipped with two set screws to secure the ring to the shaft. Maximum recommended speed is 5000 RPM. Bearings are factory lubricated and sealed.



BASIC BEARING NUMBER	WITH SNAP RING	BORE A +.0008 -.0000	OUTSIDE DIAMETER B		WIDTH C	WIDTH D	E	F	G	H	J	BASIC STATIC LOAD (lbs)	BASIC DYNAMIC LOAD ¹ (lbs)	WEIGHT (lbs)
			inch	tol. +.0000	OUTER RING +.000 -.005	INNER RING +.000 -.005								
7608DL	7608DLG	.5000	1.7500	-.0005	.625	1.092	.136	.042	1.921	.405	.233	707	1366	.38
7610DL	7610DLG	.6250	1.7500	-.0005	.625	1.092	.136	.042	1.921	.405	.233	707	1366	.34
7612DL	7612DLG	.7500	1.7500	-.0005	.625	1.092	.136	.042	1.921	.405	.233	707	1366	.31
7614DL	7614DLG	.8750	2.0000	-.0006	.625	1.179	.136	.042	2.156	.492	.261	1096	2040	.43
7616DL	7616DLG	1.0000	2.0000	-.0006	.625	1.179	.136	.042	2.156	.492	.261	1096	2040	.36
7616D	7620DLG	1.2500	2.5625	-.0006	.750	1.417	.190	.065	2.843	.605	.261	1831	3070	.76

¹ Dynamic Loads are based on 1 million revolutions.

PART NUMBER NOMENCLATURE EXAMPLE:
 8701-88 (7608 DL) – Snap Ring Groove only
 S8701-88 (7608 DLG) – Snap Ring