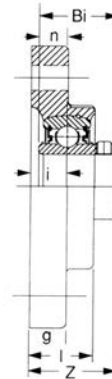
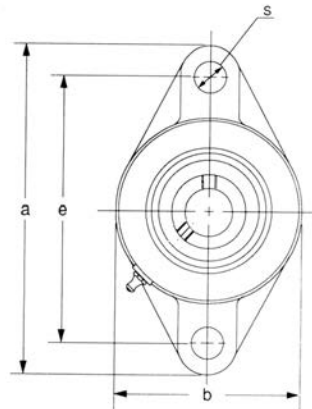




BEARING UNITS



TWO BOLT FLANGE UNITS UCFT 200 Series Normal Duty Set Screw Locking



Unit No.	Shaft Dia.		Dimensions inch / mm									Bolt Size	Bearing No.	Housing No.	Weight Lbs kg			
	In.	mm	a	e	i	g	l	s	b	z	Bi					n		
UCFT 201-8	1/2																	
202-10	5/8		4-7/16	3-35/64	3/4	19/32	1-11/64	29/64	2-13/32	1-15/32	1.220	0.500	5/16	UC 201-8				
204		20	112.5	90	19	15	29.5	11.5	61	37.3	31	12.7	M8	202-10	FT204	1.10	0.5	
204-12	3/4													204				
														204-12				
UCFT 205		25												UC 205				
205-14	7/8		4-29/32	3-57/64	3/4	19/32	1-3/16	29/64	2-3/4	1-17/32	1.339	0.563	3/8	205-14	FT205	1.32	0.6	
205-15	15/16		125	99	19	15	30	11.5	70	38.7	34	14.3	M10	205-15				
205-16	1													205-16				
UCFT 206		30												UC 206				
206-17	1-1/16		5-19/32	4-19/32	25/32	5/8	1-9/32	29/64	3-3/16	1-43/64	1.500	0.626	3/8	206-17	FT206	1.98	0.9	
206-18	1-1/8		142	116.5	20	16	32.5	11.5	82	42.2	38.1	15.9	M10	206-18				
206-19	1-3/16													206-19				
206-20	1-1/4S													206-20				
UCFT 207		35												UC 207				
207-20	1-1/4		6-3/16	5-1/8	13/16	21/32	1-13/32	9/16	3-11/16	1-53/64	1.689	0.689	7/16	207-20	FT207	2.64	1.2	
207-21	1-5/16		156	130	21	17	36	14	94	46.4	42.9	17.5	M12	207-21				
207-22	1-3/8													207-22				
207-23	1-7/16													207-23				
UCFT 208		40												UC 208				
208-24	1-1/2		6-25/32	5-41/64	15/16	21/32	1-17/32	9/16	4-5/64	2-1/8	1.937	0.748	7/16	208-24	FT208	3.52	1.6	
208-25	1-9/16		172	143.5	24	17	39	14	103	54.2	49.2	19	M12	208-25				
UCFT 209		45												UC 209				
209-26	1-5/8		7-3/32	5-27/32	15/16	23/32	1-9/16	5/8	4-1/4	2-1/8	1.937	0.748	7/16	209-26	FT209	4.18	1.9	
209-27	1-11/16		180	148.5	24	18	40	16	108	54.2	49.2	19	M12	209-27				
209-28	1-3/4													209-28				
UCFT 210		50												UC 210				
210-30	1-7/8		7-15/32	6-3/16	1-3/32	25/32	1-25/32	23/32	4-1/2	2-25/64	2.031	0.748	1/2	210-30	FT210	4.84	2.2	
210-31	1-15/16		190	157	28	20	45	18	114	60.6	51.6	19	M14	210-31				
210-32	2S													210-32				
UCFT 211		55												UC 211				
211-32	2		8-17/32	7-1/4	1-1/4	13/16	1-7/8	23/32	5-5/64	2-33/64	2.187	0.874	5/8	211-32	FT211	6.82	3.1	
211-34	2-1/8		217	184	31	21	48	18	128	64.4	55.6	22.2	M16	211-34				
211-35	2-3/16													211-35				
UCFT 212		60												UC 212				
212-36	2-1/4		9-1/4	7-61/64	1-11/32	13/16	2-3/32	23/32	5-7/16	2-29/32	2.563	1.000	5/8	212-36	FT212	8.80	4	
212-37	2-5/16		235	202	34	21	53	18	138	73.7	65.1	25.4	M16	212-37				
212-38	2-3/8													212-38				
212-39	2-7/16													212-39				
UCFT 213		65												UC 213				
213-40	2-1/2		9-3/4	8-9/32	1-1/2	7/8	2-7/32	13/16	5-31/32	3-1/16	2.563	1.000	3/4	213-40	FT213	11.00	5	
			248	210	38	22	56	20.5	152	77.7	65.1	25.4	M18					
UCFT 214		70												UC 214				
214-42	2-5/8		10-1/8	8-1/2	1-1/2	29/32	2-9/32	13/16	6-3/16	3-1/4	2.937	1.189	3/4	214-42	FT214	12.32	5.6	
214-43	2-11/16		257	216	38	23	58	20.5	157	82.4	74.6	30.2	M18	214-43				
214-44	2-3/4													214-44				
UCFT 215		75												UC 215				
215-45	2-13/16		10-15/32	8-55/64	1-5/8	15/16	2-7/16	13/16	6-7/16	3-3/8	3.063	1.311	3/4	215-45	FT215	13.64	6.2	
215-46	2-7/8		266	225	41	24	62	20.5	164	85.5	77.8	33.3	M18	215-46				
215-47	2-15/16													215-47				
215-48	3													215-48				



41669 Date Street, Suite 101
Murrieta, CA 92562
phone: 951.677.7424
fax: 951.677.7334
email: sales@rainbowprecisionproducts.com
web: www.rainbowprecisionproducts.com