

H Bushing Sheaves

Cast Iron Sheaves - Light Duty

Bushed, **One Groove and Two Groove**

BK30H to BK190H - 2BK32H to 2BK190H

Order part number size

Example: BK30H

Example: 2BK32H

for **4L or A, 5L or B Belts.**

Order H bushings separately

**For All
1 Groove Sheaves**

F= 7/8
L= 1 1/4
G= 7/16
E= 3/16



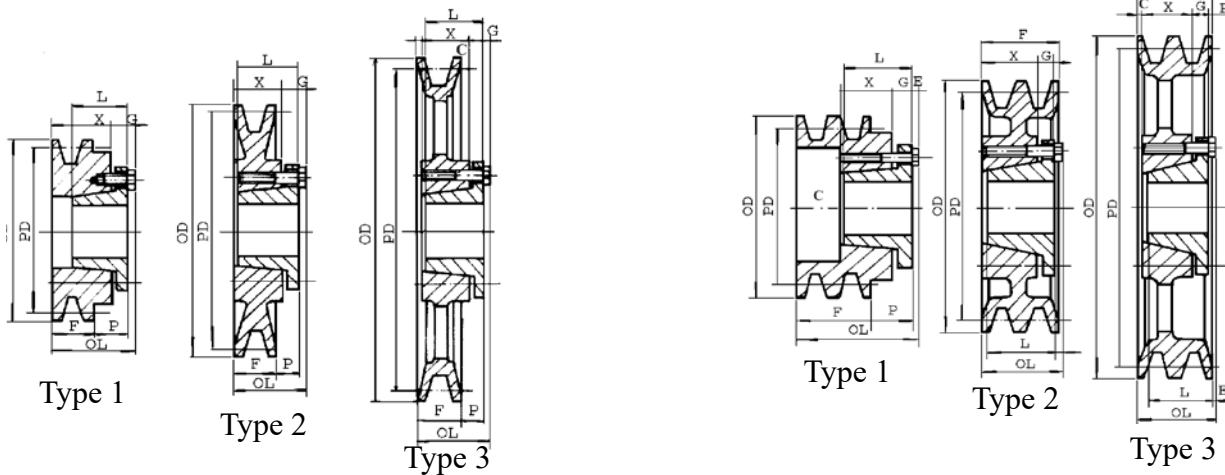
BKH

**For All
2 Groove
Sheaves**

F= 1 3/4
L= 1 1/4
X= 7/8
G= 7/16
E= 3/16



2BKH



s = solid, ● lh = lighting hole, ⊗ sp = spoked ⊗

Part No.	Diameters			Type	Dimensions				WT.
	O.D.	Pitch "4L or A" "5L or B"			O.L.	P	C	X	
BK30H	3.15	2.40	2.80	1 s	1 15/16	7/8	-	1 3/8	1.4
BK32H	3.35	2.60	3.00	1 s	1 15/16	7/8	-	1 3/8	1.6
BK34H	3.55	2.80	3.20	1 s	1 15/16	7/8	-	1 3/8	1.8
BK36H	3.75	3.00	3.40	2 s	1 1/2	7/16	-	7/8	1.5
BK40H	3.95	3.20	3.60	2 s	1 1/2	7/16	-	7/8	1.7
BK45H	4.25	3.50	3.90	2 s	1 1/2	7/16	-	7/8	2.1
BK47H	4.45	3.70	4.10	2 s	1 1/2	7/16	-	7/8	2.3
BK50H	4.75	4.00	4.40	2 s	1 1/2	7/16	-	7/8	2.7
BK52H	4.95	4.20	4.60	2 s	1 1/2	7/16	-	7/8	3.0
BK55H	5.25	4.50	4.90	2 s	1 1/2	7/16	-	7/8	3.5
BK57H	5.45	4.70	5.10	2 s	1 1/2	7/16	-	7/8	3.6
BK60H	5.75	5.00	5.40	2 s	1 1/2	7/16	-	7/8	3.5
BK62H	5.95	5.20	5.60	2 s	1 1/2	7/16	-	7/8	3.7
BK65H	6.25	5.50	5.90	2 s	1 1/2	7/16	-	7/8	4.0
BK67H	6.45	5.70	6.10	2 s	1 1/2	7/16	-	7/8	4.0
BK70H	6.75	6.00	6.40	3 s	1 9/16	1/2	1/16	7/8	4.7
BK72H	6.95	6.20	6.60	3 s	1 9/16	1/2	1/16	7/8	4.7
BK75H	7.25	6.50	6.90	3 lh	1 9/16	1/2	1/16	7/8	4.7
BK77H	7.45	6.70	7.10	3 lh	1 9/16	1/2	1/16	7/8	4.8
BK80H	7.75	7.00	7.40	3 lh	1 9/16	1/2	1/16	7/8	5.3
BK85H	8.25	7.50	7.90	3 lh	1 9/16	1/2	1/16	7/8	5.5
BK90H	8.75	8.00	8.40	3 lh	1 9/16	1/2	1/16	7/8	6.0
BK95H	9.25	8.50	8.90	3 lh	1 9/16	1/2	1/16	7/8	6.7
BK100H	9.75	9.00	9.40	3 lh	1 9/16	1/2	1/16	7/8	7.1
BK105H	10.25	9.50	9.90	3 lh	1 9/16	1/2	1/16	7/8	7.5
BK110H	10.75	10.00	10.40	3 sp	1 9/16	1/2	1/16	7/8	8.6
BK115H	11.25	10.50	10.90	3 sp	1 9/16	1/2	1/16	7/8	8.8
BK120H	11.75	11.00	11.40	3 sp	1 9/16	1/2	1/16	7/8	9.2
BK130H	12.75	12.00	12.40	3 sp	1 9/16	1/2	1/16	7/8	10.6
BK140H	13.75	13.00	13.40	3 sp	1 9/16	1/2	1/16	7/8	12.9
BK150H	14.75	14.00	14.40	3 sp	1 9/16	1/2	1/16	7/8	14.4
BK160H	15.75	15.00	15.40	3 sp	1 9/16	1/2	1/16	7/8	15.5
BK190H	18.75	18.00	18.40	3 sp	1 9/16	1/2	1/16	7/8	21.1

Part No.	Diameters			Type	Dimensions				WT.
	O.D.	Pitch "4L or A" "5L or B"			O.L.	P	C	X	
2BK32H	3.35	2.60	3.00	1 s	2 13/16	7/8	1 5/16	2.5	
2BK34H	3.55	2.80	3.20	1 s	2 13/16	7/8	1 5/16	2.8	
2BK36H	3.75	3.00	3.40	1 s	2 3/8	7/16	7/8	2.6	
2BK40H	3.95	3.20	3.60	1 s	2 3/8	7/16	7/8	3.0	
2BK45H	4.25	3.50	3.90	1 s	2 3/8	7/16	7/8	3.4	
2BK47H	4.45	3.70	4.10	2 s	1 3/4	7/16	-	3.8	
2BK50H	4.75	4.00	4.40	2 s	1 3/4	7/16	-	4.4	
2BK52H	4.95	4.20	4.60	2 s	1 3/4	7/16	-	4.8	
2BK55H	5.25	4.50	4.90	2 s	1 3/4	7/16	-	5.4	
2BK57H	5.45	4.70	5.10	2 s	1 3/4	7/16	-	5.3	
2BK60H	5.75	5.00	5.40	2 s	1 3/4	7/16	-	5.6	
2BK62H	5.95	5.20	5.60	2 s	1 3/4	7/16	-	5.8	
2BK65H	6.25	5.50	5.90	3 s	1 3/4	7/16	1/4	6.4	
2BK67H	6.45	5.70	6.10	3 s	1 3/4	7/16	1/4	6.7	
2BK70H	6.75	6.00	6.40	3 s	1 3/4	7/16	1/4	7.2	
2BK80H	7.75	7.00	7.40	3 lh	1 3/4	7/16	1/4	8.3	
2BK90H	8.75	8.00	8.40	3 lh	1 3/4	7/16	1/4	9.8	
2BK100H	9.75	9.00	9.40	3 lh	1 3/4	7/16	1/4	11.5	
2BK110H	10.75	10.00	10.40	3 sp	1 3/4	7/16	1/4	13.6	
2BK120H	11.75	11.00	11.40	3 sp	1 3/4	7/16	1/4	15.0	
2BK130H	12.75	12.00	12.40	3 sp	1 3/4	7/16	1/4	16.7	
2BK140H	13.75	13.00	13.40	3 sp	1 3/4	7/16	1/4	19.8	
2BK160H	15.75	15.00	15.40	3 sp	1 3/4	7/16	1/4	24.5	
2BK190H	18.75	18.00	18.40	3 sp	1 3/4	7/16	1/4	26.0	

Stock H Bushings and Metric bores.

BK Sheaves are accurately machined from gray cast iron, statically balanced, painted and individually packaged.

Note: Cast iron sheaves may not exceed 6500 FPM. This speed **DOES NOT** specify if dynamic balancing (2 plane) is required.

Contact customer service to verify whether dynamic balancing is required.