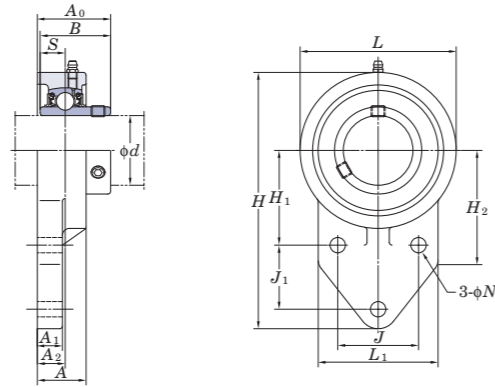


**UCFB**  
Cylindrical bore (with set screws)  
d 12 ~ 50 mm



Variations of tolerance of distance from mounting surface to center of spherical bore ( $\Delta A_{2s}$ ), variations of tolerance of distance between centers of bolt holes ( $\Delta J_s, \Delta J_{1s}$ ), variations of tolerance of distance between both grooves ( $\Delta H_{1s}$ )

Housing No.	$\Delta A_{2s}$	$\Delta J_s$	$\Delta J_{1s}$	$\Delta H_{1s}$
FB204~FB210	±0.5			

Variations of tolerance of bolt hole diameter ( $\Delta N_s$ )

Housing No.	$\Delta N_s$
FB204~FB210	±0.2

Shaft Dia. mm inch  d	Dimensions inch mm															Bolt Size inch mm	Unit No.	Housing No.	Bearing No.	Basic Load Ratings kN		Factor $f_0$	Mass kg		
	H	L	A	J	$J_1$	N	$H_1$	$H_2$	$L_1$	$A_1$	$A_2$	$A_0$	B	S	$C_r$					$C_{0r}$					
12 1/2																	UCFB201 UCFB201-8 UCFB202 UCFB202-10 UCFB203 UCFB204-12 UCFB204	FB204	UC201 UC201-8 UC202 UC202-10 UC203 UC204-12 UC204	12.8	6.65	13.2	0.64 0.62 0.61 0.59		
15 5/8	4 11/32	2 7/16	1 5/16	1 17/64	1 1/16	3/8	1 21/32	2 1/16	2 1/16	1/2	1 17/32	1 1/4	1.220	0.500		5/16 M8									
17 3/4	110	62	24.5	32	27	9.5	42	52	52	13	13.5	31.8	31	12.7											
20																	UCFB205-14 UCFB205-15 UCFB205 UCFB205-16 UCFB206-18	FB205	UC205-14 UC205-15 UC205 UC205-16 UC206-18	14.0	7.85	13.9	0.68		
25 7/8 1 1/8	4 9/16	2 11/16	1 1/16	1 11/32	1 1/16	3/8	1 49/64	2 1/16	2 7/32	1/2	1 19/32	1 3/8	1.343	0.563		5/16 M8									
25 1	116	68	27	34	27	9.5	45	52	56	13	15	34.8	34.1	14.3											
30 1 3/16 1 1/4	5 1/8	3 1/16	1 3/16	1 37/64	1 9/64	3/8	1 31/32	2 5/32	2 9/16	1/2	4 3/64	1 17/32	1.500	0.626		5/16 M8									
30 1 3/16 1 1/4	130	78	30	40	29	9.5	50	55	65	13	17	39.2	38.1	15.9											
35 1 1/4 1 5/16 1 3/8	5 21/32	3 17/32	1 5/16	1 13/16	1 17/64	3/8	2 11/64	2 7/16	2 3/4	1 19/32	3/4	1 3/4	1.689	0.689		5/16 M8									
35 1 3/8	144	90	33.5	46	32	9.5	55	62	70	15	19	44.4	42.9	17.5											
40 1 1/2 1 9/16	6 15/32	3 15/16	1 3/8	1 31/32	1 39/64	7/16	2 23/64	2 27/32	3 1/16	5/8	2 25/32	1 31/32	1.937	0.748		3/8 M10									
40 1 1/2 1 9/16	164	100	35	50	41	11	60	72	78	16	20	50.2	49.2	19											
45 1 5/8 1 11/16 1 3/4	6 27/32	4 3/16	1 3/8	2 1/8	1 11/16	7/16	2 9/16	3	3 5/32	2 23/32	2 25/32	1 31/32	1.937	0.748		3/8 M10									
45 1 5/8 1 11/16 1 3/4	174	106	35.5	54	43	11	65	76	80	18	20	50.2	49.2	19											
50 1 7/8 1 15/16 2	7 1/4	4 13/32	1 7/16	2 9/32	1 13/16	7/16	2 43/64	3 7/32	3 3/8	2 23/32	2 25/32	2 1/16	2.031	0.748		3/8 M10									
50 1 15/16 2	184	112	36	58	46	11	68	82	86	18	20	52.6	51.6	19											

Remarks 1. In Part No. of unit and units with covers, fitting codes follow bore diameter codes. (See Table 10.5 in P.62.)  
2. Part No. of applicable grease fitting is A-1/4-28UNF.  
3. As for the triple seal type product (from 201 to 205 are the double seal type products), suffix code L3 (or L2) follows Part No. of unit or bearing. (Example of Part No.: UCFB206JL3, UC206L3)

4. For the dimensions and forms of applicable bearings, see the dimensional tables of ball bearing for unit.  
5. Tapered bore (with adapter) type products are also available. (Example of Part No.: UKFB205J + H2305X, UK205 + H2305X)



41669 Date Street, Suite 101  
Murrieta, CA 92562  
phone: 951.677.7424  
fax: 951.677.7334  
email: sales@rainbowprecisionproducts.com  
web: www.rainbowprecisionproducts.com