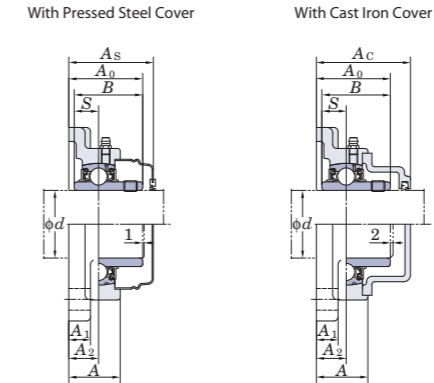
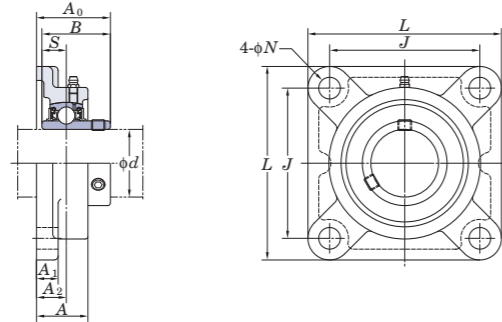


UCF
Cylindrical bore (with set screws)
d 12 ~ (45) mm



Variations of tolerance of distance from mounting surface to center of spherical bore (ΔA_{2s}) and tolerance of position of bolt hole (X)

Housing No.			ΔA_{2s}	X
F204~F210	FX05~FX10	F305~F310	±0.5	0.7
F211~F218	FX11~FX20	F311~F328	±0.8	1

Variations of tolerance of bolt hole diameter (ΔD_{vs})

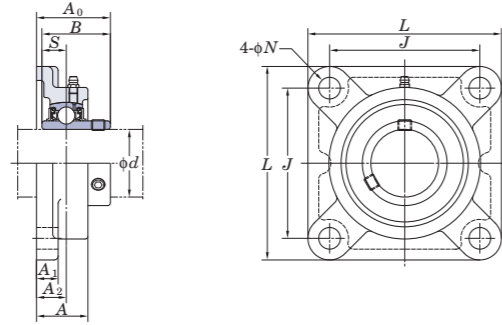
Housing No.			ΔD_{vs}
F204~F218	FX05~FX18	F305~F315	±0.2
	FX20	F316~F328	±0.3

Shaft Dia. mm inch	Dimensions inch mm	Bolt Size inch mm	Standard			Mass kg	Basic Load Ratings kN		Factor f_0	With Pressed Steel Cover				With Cast Iron Cover							
			Unit No.	Housing No.	Bearing No.		Open Type	Closed Type		Dimension mm inch	Mass kg	Open Type	Closed Type	Dimension mm inch	Mass kg						
12 1/2	L A J N A1 A2 A0 B S	M10	UCF201	F204	UC201	0.64	12.8	6.65	13.2	UCF201C	UCF201D	37.5	1 15/32	0.64	-	-	-	-			
			UCF201-8		UC201-8					-	-				-	-					
			UCF202		UC202					-	-				-	-					
			UCF202-10		UC202-10					-	-				-	-					
15 5/8	86 25.5 64 12 11 15 33.3 31 12.7	M10	UCF203	F204	UC203	0.62	12.8	6.65	13.2	UCF203C	UCF203D	37.5	1 15/32	0.62	-	-	-	-			
			UCF204-12		UC204-12					-	-				-	-					
			UCF204		UC204					-	-				-	-					
			UCF205-14		UC205-14					-	-				-	-					
17 3/4	86 25.5 64 12 11 15 33.3 31 12.7	M10	UCF205	F205	UC205	0.83	14.0	7.85	13.9	UCF205C	UCF205D	40.5	1 19/32	0.83	UCF205FC	UCF205FD	49	1 15/16	1.0		
			UCF205-15		UC205-15					-	-				-	-					
			UCF205-16		UC205-16					-	-				-	-					
			UCFX05		UCX05					-	-				-	-					
20	95 27 70 12 13 16 35.8 34.1 14.3	M10	UCFX05-16	FX05	UCX05-16	1.2	19.5	11.3	13.9	UCFX05C	UCFX05D	44.5	1 3/4	1.2	-	-	-	-			
			UCF305	F305	UC305	1.3	21.2	10.9	12.6	-	-	-	-	-	UCF305C	UCF305D	54	2 1/8	1.6		
			UCF305-16	UC305-16	-	-	-	-	-	-	-	-	-	-	-	-	-	-	-		
			UCF206-18	F206	UC206-18	1.1	19.5	11.3	13.9	-	-	-	-	-	-	-	-	-	-		
25	108 30 83 12 13 18 40.2 38.1 15.9	M10	UCF206	F206	UC206	1.1	19.5	11.3	13.9	UCF206C	UCF206D	44.5	1 3/4	1.1	UCF206FC	UCF206FD	53	2 3/32	1.4		
			UCF206-19		UC206-19	-	-	-	-	-	-	-	-	-	-	-	-	-	-		
			UCF206-20		UC206-20	-	-	-	-	-	-	-	-	-	-	-	-	-	-	-	
			UCFX06		FX06	UCX06	1.6	25.7	15.4	13.9	UCFX06C	UCFX06D	49	1 15/16	1.6	-	-	-	-	-	
30	117 34 92 16 14 19 44.4 42.9 17.5	M14	UCFX06-19	FX06	UCX06-19	1.6	25.7	15.4	13.9	-	-	-	-	-	-	-	-	-			
			UCFX06-20		UCX06-20	1.6	25.7	15.4	13.9	-	-	-	-	-	-	-	-	-	-		
			UCF306		F306	UC306	1.9	26.7	15.0	13.3	-	-	-	-	-	-	UCF306C	UCF306D	59	2 5/16	2.2
			UCF207-20		F207	UC207-20	1.5	25.7	15.4	13.9	-	-	-	-	-	-	-	-	-	-	
35	117 34 92 14 15 19 44.4 42.9 17.5	M12	UCF207-21	F207	UC207-21	1.5	25.7	15.4	13.9	-	-	-	-	-	-	-	-	-			
			UCF207-22		UC207-22	1.5	25.7	15.4	13.9	-	-	-	-	-	-	-	-	-	-		
			UCF207		UC207	1.5	25.7	15.4	13.9	UCF207C	UCF207D	49	1 15/16	1.5	UCF207FC	UCF207FD	58	2 9/32	1.9		
			UCF207-23		UC207-23	1.5	25.7	15.4	13.9	-	-	-	-	-	-	-	-	-	-		
40	130 38 102 16 14 21 51.2 49.2 19	M14	UCFX07-22	FX07	UCX07-22	2.0	29.1	17.8	14.0	UCFX07C	UCFX07D	55.5	2 3/16	2.0	-	-	-	-			
			UCFX07		UCX07	2.0	29.1	17.8	14.0	-	-	-	-	-	-	-	-	-			
			UCFX07-23		UCX07-23	2.0	29.1	17.8	14.0	-	-	-	-	-	-	-	-	-	-		
			UCF307		F307	UC307	2.3	33.4	19.3	13.2	-	-	-	-	-	-	UCF307C	UCF307D	64	2 17/32	2.7
45	135 36 100 19 16 20 49 48 19	M16	UCF208-24	F208	UC208-24	1.9	29.1	17.8	14.0	-	-	-	-	-	-	-	-	-			
			UCF208-25		UC208-25	1.9	29.1	17.8	14.0	-	-	-	-	-	-	-	-	-	-		
			UCF208		UC208	1.9	29.1	17.8	14.0	UCF208C	UCF208D	55.5	2 3/16	1.9	UCF208FC	UCF208FD	64	2 17/32	2.3		
			UCFX08-24		FX08	UCX08-24	2.4	34.1	21.3	14.0	-	-	-	-	-	-	-	-	-		
50	137 40 105 19 14 22 52.2 49.2 19	M16	UCFX08	FX08	UCX08	2.4	34.1	21.3	14.0	UCFX08C	UCFX08D	56.5	2 7/32	2.4	-	-	-	-			
			UCF308-24		F308	UC308-24	3.1	40.7	24.0	13.2	-	-	-	-	-	-	-	-	-		
			UCF308		UC308	3.1	40.7	24.0	13.2	-	-	-	-	-	-	-	UCF308C	UCF308D	71	2 25/32	3.6
			UCF209-26		F209	UC209-26	2.2	34.1	21.3	14.0	-	-	-	-	-	-	-	-	-		
55	137 38 105 16 16 22 52.2 49.2 19	M14	UCF209-27	F209	UC209-27	2.2	34.1	21.3	14.0	-	-	-	-	-	-	-	-	-			
			UCF209-28		UC209-28	2.2	34.1	21.3	14.0	-	-	-	-	-	-	-	-	-	-		
			UCF209		UC209	2.2	34.1	21.3	14.0	UCF209C	UCF209D	56.5	2 7/32	2.2	UCF209FC	UCF209FD	66	2 19/32	2.6		
			UCFX09-27		FX09	UCX09-27	2.7	35.1	23.3	14.4	-	-	-	-	-	-	-	-	-		
60	143 40 111 19 14 23 55.6 51.6 19	M16	UCFX09-28	FX09	UCX09-28	2.7	35.1	23.3	14.4	-	-	-	-	-	-	-	-				
			UCFX09		UCX09	2.7	35.1	23.3	14.4	UCFX09C	UCFX09D	60	2 3/8	2.7	-	-	-	-			

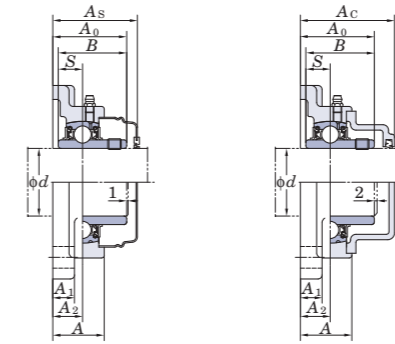
Remarks 1. In Part No. of unit and units with covers, fitting codes follow bore diameter numbers. (See Table 10.5 in P.62.)
2. Part No. of applicable grease fittings are shown below.
A-1/4-28UNF 201~210, X05~X09, 305~308
A-R1/8 211~218, X10~X20, 309~328

3. As for the triple seal type product (from 201 to 205 are the double seal type products), suffix code L3 (L2) follows the Part No. of unit or bearing. (Example of Part No.: UCF206JL3, UC206L3)
4. For the dimensions and forms of applicable bearings, see the dimensional tables of ball bearing for unit.
5. Housings of nodular graphite cast iron are also available.

UCF
Cylindrical bore (with set screws)
d (45) ~ (75) mm



With Pressed Steel Cover With Cast Iron Cover



Variations of tolerance of distance from mounting surface to center of spherical bore (ΔA_{2s}) and tolerance of position of bolt hole (X)

Housing No.			ΔA_{2s}	X
F204~F210	FX05~FX10	F305~F310	± 0.5	0.7
F211~F218	FX11~FX20	F311~F328	± 0.8	1

Variations of tolerance of bolt hole diameter (ΔN_s)

Housing No.			ΔN_s
F204~F218	FX05~FX18	F305~F315	± 0.2
	FX20	F316~F328	± 0.3

Shaft Dia. mm inch	Dimensions inch mm	Bolt Size inch mm	Standard			Mass kg	Basic Load Ratings kN		Factor f_0	With Pressed Steel Cover				With Cast Iron Cover						
			Unit No.	Housing No.	Bearing No.		Unit No. Open Type	Unit No. Closed Type		Dimension mm inch	Mass kg	Unit No. Open Type	Unit No. Closed Type	Dimension mm inch	Mass kg					
45	1 3/4 160	M16	UCF309-28	F309	UC309-28	4.0	48.9	29.5	13.3	-	-	-	-	-	-	-	-			
			UCF309		UC309					UCF309C	UCF309D	76	3	4.6						
50	1 7/8 143	M14	UCF210-30	F210	UC210-30	2.5	35.1	23.3	14.4	-	-	-	-	-	-	-	-			
			UCF210-31		UC210-31					-	-	-	-	-						
			UCF210		UC210					UCF210C	UCF210D	59	2 5/16	2.5	UCF210FC	UCF210FD	70.5	2 25/32	3.0	
			UCF210-32		UC210-32					-	-	-	-	-	-	-	-	-	-	
50	1 15/16 162	M16	UCFX10-31	FX10	UCX10-31	3.7	43.4	29.4	14.4	-	-	-	-	-	-	-	-			
			UCFX10		UCX10					UCFX10C	UCFX10D	64	2 17/32	3.7	-	-	-	-		
			UCFX10-32		UCX10-32					-	-	-	-	-	-	-	-	-	-	
55	2 3/16 175	M20	UCF310	F310	UC310	5.1	62.0	38.3	13.2	-	-	-	-	-	-	-	-			
			UCF211-32		UC211-32					-	-	-	-	-	-	-	-	-	-	
55	2 1/8 162	M16	UCF211-34	F211	UC211-34	3.4	43.4	29.4	14.4	-	-	-	-	-	-	-	-	-		
			UCF211		UC211					UCF211C	UCF211D	63	2 15/32	3.4	UCF211FC	UCF211FD	74.5	2 15/16	4.0	
			UCF211-35		UC211-35					-	-	-	-	-	-	-	-	-	-	-
			UCFX11		UCX11					UCFX11C	UCFX11D	73.5	2 29/32	4.9	-	-	-	-	-	
55	2 3/16 175	M16	UCFX11-35	FX11	UCX11-35	4.9	52.4	36.2	14.4	-	-	-	-	-	-	-	-			
			UCFX11-36		UCX11-36					-	-	-	-	-	-	-	-	-		
			UCF311-32		UC311-32					-	-	-	-	-	-	-	-	-	-	
60	2 1/4 185	M20	UCF311	F311	UC311	5.6	71.6	45.0	13.2	-	-	-	-	-	-	-	-			
			UCF311-35		UC311-35					UCF311C	UCF311D	87	3 7/16	6.5	-	-	-	-		
			UCF212-36		UC212-36					-	-	-	-	-	-	-	-	-	-	
			UCF212		UC212					UCF212C	UCF212D	73.5	2 29/32	4.2	UCF212FC	UCF212FD	86	3 3/8	5.0	
60	2 3/8 175	M16	UCF212-38	F212	UC212-38	4.2	52.4	36.2	14.4	-	-	-	-	-	-	-	-			
			UCF212-39		UC212-39					-	-	-	-	-	-	-	-	-		
			UCFX12		UCX12					UCFX12C	UCFX12D	78.5	3 3/32	5.7	-	-	-	-		
			UCFX12-39		UCX12-39					-	-	-	-	-	-	-	-	-	-	
65	2 7/16 195	M20	UCF312	F312	UC312	6.9	81.9	52.2	13.2	-	-	-	-	-	-	-	-			
			UCF312-39		UC312-39					UCF312C	UCF312D	95	3 3/4	8.1	-	-	-	-		
			UCF213-40		UC213-40					-	-	-	-	-	-	-	-	-	-	
			UCF213		UC213					UCF213C	UCF213D	74.5	2 15/16	5.2	UCF213FC	UCF213FD	87	3 7/16	6.0	
65	2 1/2 187	M16	UCFX13-40	FX13	UCX13-40	6.3	62.2	44.1	14.5	-	-	-	-	-	-	-	-			
			UCFX13		UCX13					UCFX13C	UCFX13D	83.5	3 9/32	6.3	-	-	-	-		
			UCF313-40		UC313-40					-	-	-	-	-	-	-	-	-	-	
			UCF313		UC313					UCF313C	UCF313D	94	3 11/16	8.9	-	-	-	-		
70	2 3/4 193	M16	UCF214-44	F214	UC214-44	5.9	62.2	44.1	14.5	-	-	-	-	-	-	-	-			
			UCF214		UC214					UCF214C	UCF214D	80.5	3 5/32	5.9	UCF214FC	UCF214FD	93	3 21/32	6.8	
			UCFX14-44		UCX14-44					-	-	-	-	-	-	-	-	-	-	
			UCFX14		UCX14					UCFX14C	UCFX14D	86.5	3 13/32	7.0	-	-	-	-		
75	2 3/4 226	M22	UCF314-44	F314	UC314-44	10.1	104	68.2	13.2	-	-	-	-	-	-	-	-			
			UCF314		UC314					UCF314C	UCF314D	98	3 27/32	11.2	-	-	-	-		
75	2 15/16 200	M16	UCF215-47	F215	UC215-47	6.4	67.4	48.3	14.5	-	-	-	-	-	-	-	-			
			UCF215		UC215					UCF215C	UCF215D	83.5	3 9/32	6.4	UCF215FC	UCF215FD	96	3 25/32	7.4	
			UCF215-48		UC215-48					-	-	-	-	-	-	-	-	-	-	
75	2 15/16 197	M20	UCFX15-47	FX15	UCX15-47	8.4	72.7	53.0	14.6	-	-	-	-	-	-	-	-			
			UCFX15		UCX15					UCFX15C	UCFX15D	94.5	3 23/32	8.4	-	-	-	-		
			UCFX15-48		UCX15-48					-	-	-	-	-	-	-	-	-	-	

Remarks 1. In Part No. of unit and units with covers, fitting codes follow bore diameter numbers. (See Table 10.5 in P.62.)
2. Part No. of applicable grease fittings are shown below.
A-1/4-28UNF 201~210, X05~X09, 305~308
A-R1/8..... 211~218, X10~X20, 309~328

3. As for the triple seal type product (from 201 to 205 are the double seal type products), suffix code L3 (L2) follows the Part No. of unit or bearing. (Example of Part No. : UCF206JL3, UC206L3)
4. For the dimensions and forms of applicable bearings, see the dimensional tables of ball bearing for unit.
5. Housings of nodular graphite cast iron are also available.

