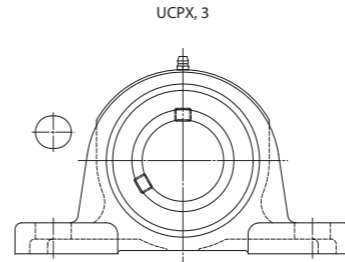
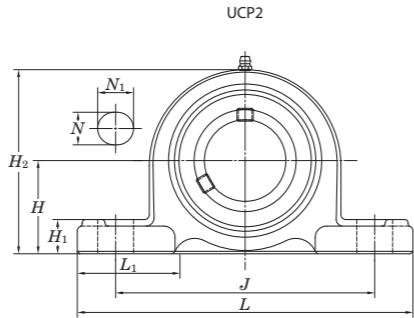
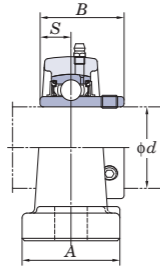
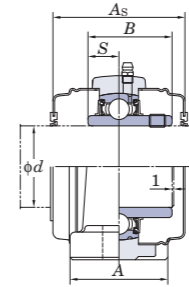


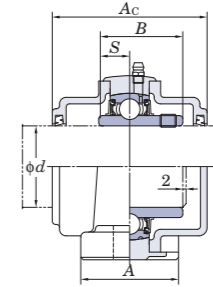
**UCP**  
Cylindrical bore (with set screws)  
*d* 12 ~ (45) mm



With Pressed Steel Cover



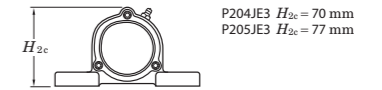
With Cast Iron Cover



Variations of tolerance of distance from mounting bottom to center of spherical bore ( $\Delta H_{2c}$ )

Housing No.		$\Delta H_{2c}$
P203~P210	PX05~PX10	+0.15
P211~P218	PX11~PX18	+0.2
PX20	P319~P328	+0.3

Forms and dimensions of  $H_{2c}$  of P204JE3 and P205JE3 (housing with cast iron cover) are shown below.



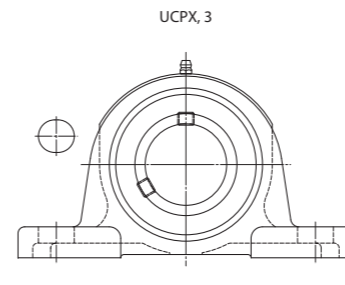
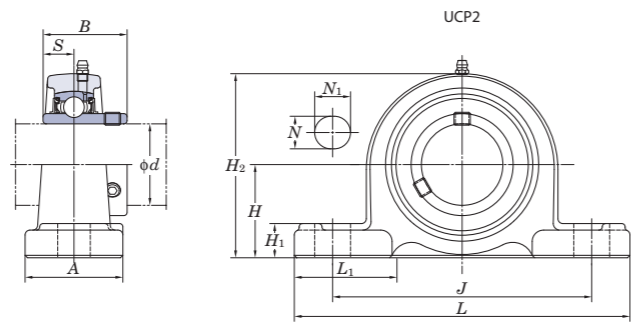
Shaft Dia. mm inch <i>d</i>	Dimensions inch mm												Bolt Size inch mm	Standard			Mass kg	Basic Load Ratings kN		Factor <i>f</i> <sub>0</sub>	With Pressed Steel Cover				With Cast Iron Cover								
	<i>H</i>	<i>L</i>	<i>A</i>	<i>J</i>	<i>N</i>	<i>N</i> <sub>1</sub>	<i>H</i> <sub>1</sub>	<i>H</i> <sub>2</sub>	<i>L</i> <sub>1</sub>	<i>B</i>	<i>S</i>	Unit No.		Housing No.	Bearing No.	Unit No.		Dimension mm inch <i>A</i> <sub>s</sub>	Mass kg		Unit No.	Dimension mm inch <i>A</i> <sub>c</sub>	Mass kg										
12 15 17	1/2 5/8	1 3/16	5	1 1/2	3 3/4	1/2	23/32	5/8	2 3/8	1 13/32	1.220	0.500	3/8	UCP201 UCP201-8 UCP202 UCP202-10 UCP203	P203	UC201 UC201-8 UC202 UC202-10 UC203	0.63 0.63 0.61 0.61 0.60	12.8	6.65	13.2	UCP201C UCP201CD UCP202C UCP202CD UCP203C UCP203CD	45	1 25/32	0.63 0.61 0.60	-	-	-	-	-				
		3 3/4	5	1 1/2	3 3/4	1/2	23/32	5/8	2 9/16	1 13/32	1.220	0.500	3/8	UCP204-12 UCP204	P204	UC204-12 UC204	0.66 0.66	12.8	6.65	13.2	UCP204C UCP204CD	45	1 25/32	0.66	UCP204FC UCP204FCD	62	2 7/16	0.96	-	-	-	-	
		7/8 15/16	1 7/16	5 1/2	1 1/2	4 1/8	1/2	23/32	5/8	2 3/4	1 1/2	1.343	0.563	3/8	UCP205-14 UCP205-15 UCP205	P205	UC205-14 UC205-15 UC205	0.80 0.80 0.80 0.80	14.0	7.85	13.9	UCP205C UCP205CD	49	1 15/16	0.80	UCP205FC UCP205FCD	66	2 19/32	1.2	-	-	-	-
		1	1 3/4	6 1/4	2	4 11/16	21/32	31/32	5/8	3 3/8	1 27/32	1.500	0.626	1/2	UCPX05 UCPX05-16	PX05	UCX05 UCX05-16	1.5 1.5	19.5	11.3	13.9	UCPX05C UCPX05CD	53	2 3/32	1.5	-	-	-	-	-			
25	1	1 49/64	6 7/8	1 3/4	5 3/16	21/32	25/32	5/8	3 11/32	2 5/32	1.496	0.591	1/2	UCP305 UCP305-16	P305	UC305 UC305-16	1.7 1.7	21.2	10.9	12.6	UCP305C UCP305CD	76	3	2.3	-	-	-	-	-				
		1 1/8	1 11/16	6 1/2	1 7/8	4 3/4	21/32	13/16	21/32	3 5/16	1 7/8	1.500	0.626	1/2	UCP206-18 UCP206 UCP206-19 UCP206-20	P206	UC206-18 UC206 UC206-19 UC206-20	1.3 1.3 1.3	19.5	11.3	13.9	UCP206C UCP206CD	53	2 3/32	1.3	UCP206FC UCP206FCD	70	2 3/4	1.8	-	-	-	-
		1 3/16 1 1/4	1 7/8	6 7/8	2 1/4	5	21/32	31/32	21/32	3 21/32	2 5/32	1.689	0.689	1/2	UCPX06 UCPX06-19 UCPX06-20	PX06	UCX06 UCX06-19 UCX06-20	2.1 2.1 2.1	25.7	15.4	13.9	UCPX06C UCPX06CD	60	2 3/8	2.1	-	-	-	-	-			
		1 1/4	1 31/32	7 3/32	1 31/32	5 1/2	21/32	25/32	21/32	3 3/4	2 3/32	1.693	0.669	1/2	UCP306	P306	UC306	2.2	26.7	15.0	13.3	UCP306C UCP306CD	82	3 7/32	2.8	-	-	-	-	-			
30	1 1/4	1 1/8	1 11/16	6 1/2	1 7/8	4 3/4	21/32	13/16	21/32	3 5/16	1 7/8	1.500	0.626	1/2	UCP207-20 UCP207-21 UCP207-22 UCP207 UCP207-23	P207	UC207-20 UC207-21 UC207-22 UC207 UC207-23	1.6 1.6 1.6 1.6 1.6	25.7	15.4	13.9	UCP207C UCP207CD	60	2 3/8	1.6	UCP207FC UCP207FCD	78	3 1/16	2.3	-	-	-	-
		1 3/16 1 1/4	1 7/8	6 7/8	2 1/4	5	21/32	31/32	21/32	3 21/32	2 5/32	1.689	0.689	1/2	UCPX07-22 UCPX07 UCPX07-23	PX07	UCX07-22 UCX07 UCX07-23	2.7 2.7 2.7	29.1	17.8	14.0	UCPX07C UCPX07CD	69	2 23/32	2.7	-	-	-	-	-			
		1 1/4	1 31/32	7 3/32	1 31/32	5 1/2	21/32	25/32	21/32	3 3/4	2 3/32	1.693	0.669	1/2	UCP307	P307	UC307	3.0	33.4	19.3	13.2	UCP307C UCP307CD	88	3 15/32	3.8	-	-	-	-	-			
		1 1/4	1 11/16	6 1/2	1 7/8	4 3/4	21/32	13/16	21/32	3 5/16	1 7/8	1.500	0.626	1/2	UCP208-24 UCP208-25 UCP208	P208	UC208-24 UC208-25 UC208	2.0 2.0 2.0	29.1	17.8	14.0	UCP208C UCP208CD	69	2 23/32	2.0	UCP208FC UCP208FCD	86	3 3/8	2.8	-	-	-	-
35	1 1/2	1 3/8	2 5/16	8 3/4	2 5/8	6 5/32	25/32	1 1/4	13/16	4 1/2	2 25/32	1.937	0.748	5/8	UCPX08-24 UCPX08	PX08	UCX08-24 UCX08	3.5 3.5	34.1	21.3	14.0	UCPX08C UCPX08CD	69	2 23/32	3.5	-	-	-	-	-			
		1 1/2	2 23/64	8 21/32	2 3/8	6 11/16	21/32	1 1/16	3/4	4 21/32	2 9/16	2.047	0.748	1/2	UCP308-24 UCP308	P308	UC308-24 UC308	3.8 3.8	40.7	24.0	13.2	UCP308C UCP308CD	96	3 25/32	4.8	-	-	-	-	-			
		1 1/2	2 5/16	8 3/4	2 5/8	6 5/32	25/32	1 1/4	13/16	4 1/2	2 25/32	1.937	0.748	5/8	UCP209-26 UCP209-27 UCP209-28 UCP209	P209	UC209-26 UC209-27 UC209-28 UC209	2.2 2.2 2.2 2.2	34.1	21.3	14.0	UCP209C UCP209CD	69	2 23/32	2.2	UCP209FC UCP209FCD	88	3 15/32	3.0	-	-	-	-
		1 1/2	2 5/16	8 3/4	2 5/8	6 5/32	25/32	1 5/16	13/16	4 9/16	2 25/32	2.031	0.748	5/8	UCPX09-27 UCPX09-28 UCPX09	PX09	UCX09-27 UCX09-28 UCX09	3.7 3.7 3.7	35.1	23.3	14.4	UCPX09C UCPX09CD	74	2 29/32	3.7	-	-	-	-	-			

Remarks 1. In Part No. of unit and units with covers, fitting codes follow bore diameter numbers. (See Table 10.5 in P.62.)  
2. Part No. of applicable grease fittings are shown below.  
A-1/4-28UNF ..... 201~210, X05~X09, 305~308  
A-R1/8 ..... 211~218, X10~X20, 309~328

3. As for the triple seal type product (from 201 to 205 are the double seal type products), suffix code L3 (or L2) follows the Part No. of unit or bearing. (Example of Part No.: UCP206JL3, UC206L3)  
4. For the dimensions and forms of applicable bearings, see the dimensional tables of ball bearing for unit.  
5. Representative examples of the forms of housing are indicated.  
6. Housings of nodular graphite cast iron are also available.

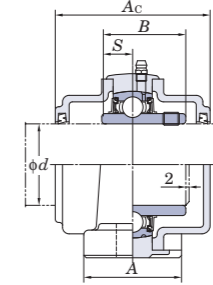
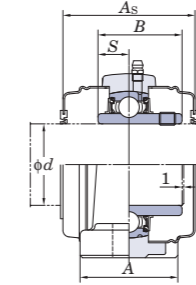


UCP  
Cylindrical bore (with set screws)  
d (75) ~ 140 mm



With Pressed Steel Cover

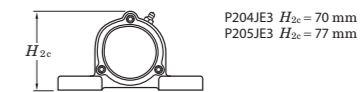
With Cast Iron Cover



Variations of tolerance of distance from mounting bottom to center of spherical bore (H2)

Housing No.		ΔH2
P203~P210	PX05~PX10	±0.15
P211~P218	PX11~PX18	±0.2
P219~P228	PX19~PX28	±0.3

Forms and dimensions of H2c of P204JE3 and P205JE3 (housing with cast iron cover) are shown below.



Shaft Dia. mm <i>d</i>	inch	Dimensions											Bolt Size inch mm	Standard			Mass kg	Basic Load Ratings kN		Factor <i>f0</i>	With Pressed Steel Cover			With Cast Iron Cover					
		<i>H</i>	<i>L</i>	<i>A</i>	<i>J</i>	<i>N</i>	<i>N1</i>	<i>H1</i>	<i>H2</i>	<i>L1</i>	<i>B</i>	<i>S</i>		Unit No.	Housing No.	Bearing No.		<i>Cr</i>	<i>C0r</i>		Unit No.	Dimension mm	inch	Mass kg	Unit No.	Dimension mm	inch	Mass kg	
75	2 15/16	3 15/16	14 31/32	3 15/16	11 13/32	1 1/16	1 9/16	1 3/8	7 25/32	4 7/32	3.228	1.260	7/8	UCP315-47	P315	UC315-47	14.8	-	-	-	-	-	-	-	-	-			
	3	100	380	100	290	27	40	35	198	107	82	32	M22	UCP315		UC315	14.8	-	-	-	-	UCP315C	UCP315CD	134	5 9/32	17.3			
														UCP315-48		UC315-48	14.8	-	-	-	-	-	-	-	-				
80	3 1/8	3 1/2	11 1/2	3 1/16	9 1/8	31/32	1 3/8	1 3/16	6 27/32	3 9/32	3.252	1.311	3/4	UCP216-50	P216	UC216-50	9.0	-	-	-	-	-	-	-	-				
		88.9	292	78	232	25	35	30	174	83	82.6	33.3	M20	UCP216		UC216	9.0	-	-	-	-	UCP216C	UCP216CD	109	4 9/32	9.0			
														UCP216-52		UC216-52	9.0	72.7	53.0	14.6	-	-	-	-	-				
														UCP216-47	PX16	UCX16	15.3	84.0	61.9	14.5	UCP216C	UCP216CD	113	4 7/16	15.3				
85	3 1/4	3 3/4	12 7/32	3 9/32	9 23/32	31/32	1 3/8	1 1/4	7 9/32	3 7/16	3.374	1.343	3/4	UCP217-52	P217	UC217-52	10.8	-	-	-	-	-	-	-	-				
														UCP217		UC217	10.8	-	-	-	-	UCP217C	UCP217CD	113	4 7/16	10.8			
														UCP217-55	PX17	UCX17	16.1	96.1	71.5	14.5	UCP217C	UCP217CD	123	4 27/32	16.1				
90	3 7/16	4 13/32	16 17/32	4 11/32	12 19/32	1 5/16	1 25/32	1 9/16	8 21/32	4 23/32	3.780	1.575	1	UCP317	P317	UC317	20.3	133	96.8	13.3	-	-	-	-	UCP317C	UCP317CD	146	5 3/4	23.6
														UCP317		UC317	20.3	133	96.8	13.3	-	-	-	-	-	-			
														UCP317-56	P218	UC218-56	13.9	-	-	-	-	-	-	-	-				
														UCP317-55	PX17	UCX17	16.1	96.1	71.5	14.5	UCP317C	UCP317CD	123	4 27/32	16.1				
95	3 1/2	4	12 7/8	3 15/32	10 5/16	1 1/16	1 9/16	1 5/16	7 25/32	3 11/16	3.780	1.563	7/8	UCP218-56	P218	UC218-56	13.9	-	-	-	-	-	-	-	-				
														UCP218		UC218	13.9	96.1	71.5	14.5	UCP218C	UCP218CD	123	4 27/32	13.9				
														UCP218-55	PX18	UCX18	19.1	109	81.9	14.4	-	-	-	-	UCP218C	UCP218CD	152	6	17.0
100	3 1/2	4 41/64	16 15/16	4 11/32	13	1 5/16	1 25/32	1 9/16	9 7/32	4 23/32	3.780	1.575	1	UCP318-56	P318	UC318-56	22.8	143	107	13.3	-	-	-	-	-				
														UCP318		UC318	22.8	143	107	13.3	-	-	-	-	UCP318C	UCP318CD	150	5 29/32	26.6
														UCP318-55	P319	UC319	29.0	153	119	13.3	-	-	-	-	UCP319C	UCP319CD	162	6 3/8	33.3
105	3 15/16	5	17	4 3/4	13 1/4	1 5/16	2 9/16	1 25/32	9 21/32	4 31/32	4.626	1.937	1	UCP319	P319	UC319	29.0	153	119	13.3	-	-	-	-	-				
	4	127	432	121	337	33	65	45	245	126	117.5	49.2	M27	UCP319		UC319	30.4	133	105	14.4	-	-	-	-	UCP320C	UCP320CD	186	7 5/16	34.9
														UCP319-63	PX20	UCX20	30.4	133	105	14.4	-	-	-	-	-				
110	3 15/16	5 33/64	19 9/32	4 23/32	14 31/32	1 13/32	1 31/32	1 13/16	10 3/4	5 1/2	4.252	1.654	1 1/8	UCP320	P320	UC320	35.1	173	141	13.2	-	-	-	-	UCP320C	UCP320CD	174	6 27/32	40.7
														UCP320-63		UC320-63	35.1	173	141	13.2	-	-	-	-	-				
														UCP320-64		UC320-64	35.1	173	141	13.2	-	-	-	-	-				
120	3 15/16	5 33/64	19 9/32	4 23/32	14 31/32	1 13/32	1 31/32	1 13/16	10 3/4	5 1/2	4.409	1.732	1 1/8	UCP321	P321	UC321	37.6	184	153	13.2	-	-	-	-	UCP321C	UCP321CD	178	7	43.6
														UCP321		UC321	37.6	184	153	13.2	-	-	-	-	-				
														UCP321-63	P322	UC322	44.0	205	180	13.2	-	-	-	-	UCP322C	UCP322CD	188	7 13/32	50.8
130	3 15/16	5 29/32	20 15/32	5 1/2	15 3/4	1 9/16	2 5/32	1 31/32	11 21/32	5 29/32	4.606	1.811	1 1/4	UCP322	P322	UC322	44.0	205	180	13.2	-	-	-	-	UCP322C	UCP322CD	188	7 13/32	50.8
														UCP322		UC322	44.0	205	180	13.2	-	-	-	-	-				
														UCP322-63	P324	UC324	55.4	207	185	13.5	-	-	-	-	UCP324C	UCP324CD	196	7 23/32	64.9
140	3 15/16	6 19/64	22 7/16	5 1/2	17 23/32	1 9/16	2 5/32	1 31/32	12 7/16	6 5/16	4.961	2.008	1 1/4	UCP324	P324	UC324	55.4	207	185	13.5	-	-	-	-	UCP324C	UCP324CD	196	7 23/32	64.9
														UCP324		UC324	55.4	207	185	13.5	-	-	-	-	-				
														UCP324-63	P326	UC326	72.1	229	214	13.6	-	-	-	-	UCP326C	UCP326CD	214	8 7/16	84.2

Remarks 1. In Part No. of unit and units with covers, fitting codes follow bore diameter numbers. (See Table 10.5 in P.62.)

2. Part No. of applicable grease fittings are shown below.  
A-1/4-28UNF ..... 201~210, X05~X09, 305~308  
A-R1/8 ..... 211~218, X10~X20, 309~328

3. As for the triple seal type product (from 201 to 205 are the double seal type products), suffix code L3 (or L2) follows the Part No. of unit or bearing. (Example of Part No.: UCP206JL3, UC206L3)  
4. For the dimensions and forms of applicable bearings, see the dimensional tables of ball bearing for unit.  
5. Representative examples of the forms of housing are indicated.  
6. Housings of nodular graphite cast iron are also available.



41669 Date Street, Suite 101  
Murrieta, CA 92562  
phone: 951.677.7424  
fax: 951.677.7334  
email: sales@rainbowprecisionproducts.com  
web: www.rainbowprecisionproducts.com