

H Bushing Sheaves

Cast Iron Sheaves - **Light-Duty** Bushed,
One Groove and Two Groove

AK30H to AK184H -
2AK30H to 2AK184H

Order part number size

Example: AK30H

Example: 2AK32H

for 3L, 4L or A Belts.

Order H bushing separately

**For All
1 Groove Sheaves**

F= 3/4
L= 1 1/4
G= 7/16
E= 3/16



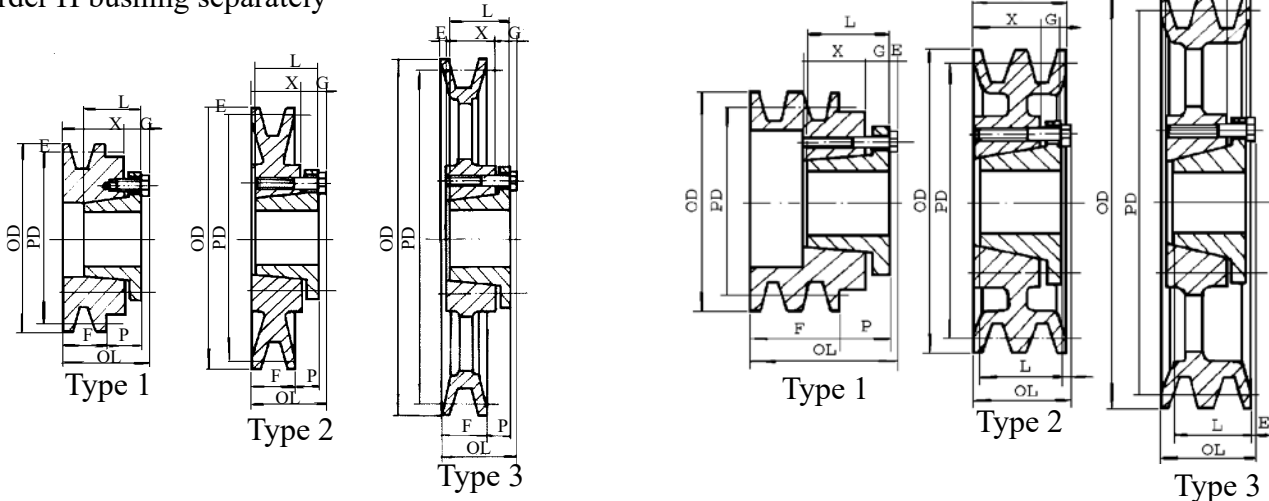
AKH

**For All
2 Groove Sheaves**

F= 1 3/8
L= 1 1/4
X= 7/8
G= 1/2
E= 3/16



2AKH



s = solid, ● lh = lighting hole, ⊙ sp = spoked ⊗

Part No.	Diameters			Type	Dimensions			
	O.D.	"3L"	"4L or A"		O.L.	P	X	WT.
AK30H	3.05	2.46	2.80	1 s	1 13/16	7/8	1 3/16	1.30
AK32H	3.30	2.66	3.00	1 s	1 13/16	7/8	1 3/16	1.30
AK34H	3.45	2.86	3.20	2 s	1 1/2	9/16	7/8	1.20
AK39H	3.75	3.16	3.50	2 s	1 1/2	9/16	7/8	1.50
AK41H	3.95	3.36	3.70	2 s	1 1/2	9/16	7/8	1.80
AK44H	4.25	3.66	4.00	2 s	1 1/2	9/16	7/8	2.00
AK46H	4.45	3.86	4.20	2 s	1 1/2	9/16	7/8	2.30
AK49H	4.75	4.16	4.50	2 s	1 1/2	9/16	7/8	2.60
AK51H	4.95	4.36	4.70	2 s	1 1/2	9/16	7/8	2.70
AK54H	5.25	4.66	5.00	2 s	1 1/2	9/16	7/8	2.60
AK56H	5.45	4.86	5.20	2 s	1 1/2	9/16	7/8	2.80
AK59H	5.75	5.16	5.50	2 s	1 1/2	9/16	7/8	3.00
AK61H	5.95	5.36	5.70	3 s	1 1/2	9/16	7/8	3.10
AK64H	6.25	5.66	6.00	3 s	1 1/2	9/16	7/8	3.30
AK66H	6.45	5.86	6.20	3 s	1 1/2	9/16	7/8	3.60
AK69H	6.75	6.16	6.50	3 lh	1 1/2	9/16	7/8	3.50
AK71H	6.95	6.36	6.70	3 lh	1 1/2	9/16	7/8	3.50
AK74H	7.25	6.66	7.00	3 lh	1 1/2	9/16	7/8	3.80
AK79H	7.75	7.16	7.50	3 lh	1 1/2	9/16	7/8	4.20
AK84H	8.25	7.66	8.00	3 lh	1 1/2	9/16	7/8	4.60
AK89H	8.75	8.16	8.50	3 lh	1 1/2	9/16	7/8	4.80
AK94H	9.25	8.66	9.00	3 lh	1 1/2	9/16	7/8	5.60
AK99H	9.75	9.16	9.50	3 lh	1 1/2	9/16	7/8	5.90
AK104H	10.25	9.66	10.00	3 sp	1 1/2	9/16	7/8	6.80
AK109H	10.75	10.16	10.50	3 sp	1 1/2	9/16	7/8	7.10
AK114H	11.25	10.66	11.00	3 sp	1 1/2	9/16	7/8	7.50
AK124H	12.25	11.66	12.00	3 sp	1 1/2	9/16	7/8	8.00
AK134H	13.25	12.66	13.00	3 sp	1 1/2	9/16	7/8	10.70
AK144H	14.25	13.66	14.00	3 sp	1 1/2	9/16	7/8	11.10
AK154H	15.25	14.66	15.00	3 sp	1 1/2	9/16	7/8	12.50
AK184H	18.25	17.66	18.00	3 sp	1 1/2	9/16	7/8	17.30

Part No.	Diameters			Type	Dimensions			
	O.D.	"3L"	"4L or A"		O.L.	P	X	WT.
2AK30H	3.05	2.46	2.80	1 s	2 7/16	7/8	15/16	1.70
2AK32H	3.25	2.66	3.00	1 s	2 7/16	7/8	15/16	1.80
2AK34H	3.45	2.86	3.20	1 s	2	7/16	1/2	1.70
2AK39H	3.75	3.16	3.50	1 s	2	7/16	1/2	2.10
2AK41H	3.95	3.36	3.70	2 s	1 1/2	1/16	-	2.40
2AK44H	4.25	3.66	4.00	2 s	1 1/2	1/16	-	2.90
2AK46H	4.45	3.86	4.20	2 s	1 1/2	1/16	-	3.20
2AK49H	4.75	4.16	4.50	2 s	1 1/2	1/16	-	3.70
2AK51H	4.95	4.36	4.70	2 s	1 1/2	1/16	-	3.20
2AK54H	5.25	4.66	5.00	2 s	1 1/2	1/16	-	3.50
2AK56H	5.45	4.86	5.20	2 s	1 1/2	1/16	-	3.80
2AK59H	5.75	5.16	5.50	3 s	1 1/2	1/16	-	4.10
2AK61H	5.95	5.36	5.70	3 s	1 1/2	1/16	-	4.30
2AK64H	6.25	5.66	6.00	3 s	1 1/2	1/16	-	4.60
2AK74H	7.25	6.66	7.00	3 lh	1 1/2	1/16	-	5.10
2AK84H	8.25	7.66	8.00	3 lh	1 1/2	1/16	-	6.10
2AK94H	9.25	8.66	9.00	3 lh	1 1/2	1/16	-	7.40
2AK104H	10.25	9.66	10.00	3 sp	1 1/2	1/16	-	9.20
2AK114H	11.25	10.66	11.00	3 sp	1 1/2	1/16	-	10.00
2AK124H	12.25	11.66	12.00	3 sp	1 1/2	1/16	-	10.90
2AK134H	13.25	12.66	13.00	3 sp	1 1/2	1/16	-	13.10
2AK144H	14.25	13.66	14.00	3 sp	1 1/2	1/16	-	14.60
2AK154H	15.25	14.66	15.00	3 sp	1 1/2	1/16	-	16.20
2AK184H	18.25	17.66	18.00	3 sp	1 1/2	1/16	-	21.60

Stock H Bushings and Metric bores.

AK Sheaves are accurately machined from gray cast iron, statically balanced, painted and individually packaged.

Note: Cast iron sheaves may not exceed 6500 FPM. This speed **DOES NOT** specify if dynamic balancing (2 plane) is required. Contact customer service to verify whether dynamic balancing is required.