

N700E Series Variable Frequency Drives - 230 Volt

SECTION 1
VARIABLE FREQUENCY DRIVES

The HYUNDAI N700E Series High Performance Drives offer powerful control solutions with exceptional speed control and torque response which provides superior vector performance. The N700E's compact size and sensorless vector control technology provides perfectly optimized performance for industrial and commercial applications.

Certificates of international compliance (UL/cUL, CE) for the N700E series make it perfect for global applications. Compatible with the most common loads such as: fans, blowers, compressors, pumps, mixers, agitators, feeders, centrifuges, cranes, hoists, presses, extruders, and textile spinning machines.

Product Specifications

- » Sensorless Vector Control
- » 0.01 - 400 Hz
- » 60 sec. 150% overload, CT applications
- » 60 sec. 120% overload, VT applications
- » 3000 second accel/decel
- » DC braking
- » Auto-tuning
- » Sixteen pre-set speeds
- » Adjustable carrier frequencies
- » PID control
- » Frequency jump
- » Analog gain bias
- » Jog run
- » Electronic thermal overload
- » Auto-torque boost, trip history monitor and software lock
- » Speed search function
- » Intelligent input function
- » RS485 - Modbus communications
- » Other communications options available
- Consult factory



230 Volt, Single-Phase In / 230 Volt, Three-Phase Out							
HP	Output Current	Model Number	List Price	Dimensions (in) H x W x D	Approx. Weight (lbs.)	Conduit Connection Box NEMA 1 Enclosure	
						Model Number	List Price
0.5	3	N700E-004SF	\$707.96	5.04 x 2.67 x 5.04	2.6	Standard	—
1	5	N700E-007SF	\$736.73	5.04 x 2.67 x 5.04	2.6	Standard	—
2	7	N700E-015SF	\$855.09	5.04 x 4.25 x 5.6	3.3	Standard	—
3	11	N700E-022SF	\$925.88	5.04 x 4.25 x 5.6	3.3	Standard	—

230 Volt, Three-Phase In / 230 Volt, Three-Phase Out									
Constant Torque 150% Overload		Variable Torque 120% Overload		Model Number	List Price	Dimensions (in) H x W x D	Approx. Weight (lbs.)	Conduit Connection Box NEMA 1 Enclosure	
HP	Output Current	HP	Output Current					Model Number	List Price
0.5	3	—	—	N700E-004LF	\$689.16	5.04 x 2.67 x 5.04	2.6	Standard	—
1	5	—	—	N700E-007LF	\$714.60	5.04 x 2.67 x 5.04	2.6	Standard	—
2	7	—	—	N700E-015LF	\$841.81	5.04 x 2.67 x 5.04	2.6	Standard	—
3	11	—	—	N700E-022LF	\$911.50	5.04 x 4.25 x 5.6	3.3	Standard	—
5	17	—	—	N700E-037LF	\$1,171.46	5.04 x 5.42 x 5.78	4.4	Standard	—
7.5	24	10	30	N700E-055LFC	\$2,088.50	10.82 x 8.26 x 6.61	9.3	CBOX-5.5-11	\$127.21
10	32	15	44	N700E-075LFC	\$2,466.81	10.82 x 8.26 x 6.61	9.3	CBOX-5.5-11	\$127.21
15	45	20	50	N700E-110LFC	\$3,161.50	10.82 x 8.26 x 6.61	9.3	CBOX-5.5-11	\$127.21
20	64	25	73	N700E-150LFC	\$3,652.65	15.4 x 9.85 x 7.4	16	CBOX-15-22	\$143.81
25	76	30	85	N700E-185LFC	\$4,058.63	15.4 x 9.85 x 7.4	16	CBOX-15-22	\$143.81
30	90	40	90	N700E-220LFC	\$4,752.21	15.4 x 9.85 x 7.4	22	CBOX-15-22	\$143.81
40	114	50	140	N700E-300LF	\$7,815.27	21.7 x 10.7 x 10.5	55	CBOX-30LF	\$470.13
50	140	60	170	N700E-370LF	\$9,201.33	25.6 x 11.7 x 10.5	78	CBOX-37-45LF	\$486.73
60	170	75	205	N700E-450LF	\$11,079.65	25.6 x 11.7 x 10.5	78	CBOX-37-45LF	\$486.73
75	211	100	261	N700E-550LF	\$13,309.73	30.0 x 13.7 x 10.9	105	CBOX-55-75LF	\$564.16
100	251	125	310	N700E-750LF	\$17,433.63	30.0 x 13.7 x 10.9	105	CBOX-55-75LF	\$564.16

Remote Keypads & Cables

Model Number	Description	List Price
ROP7	LED Remote Keypad Unit	\$204.65
N700E-LCD-KIT-LF	Advanced LCD Keypad	\$663.72
NOP1-1A	Cable, 1.5 Meter	\$44.25
NOP1-3A	Cable, 3 Meter	\$69.69

Additional Product Notes

All WorldWide Hyundai N700E drives can be used for single-phase input / three-phase output. Consult factory to size appropriately. Always check and verify motor full load amps before selecting a VFD.

N700E Series Variable Frequency Drives - 460 Volt

The HYUNDAI N700E Series High Performance Drives offer powerful control solutions with exceptional speed control and torque response which provides superior vector performance. The N700E's compact size and sensorless vector control technology provides perfectly optimized performance for industrial and commercial applications.

Certificates of international compliance (UL/cUL, CE) for the N700E series make it perfect for global applications. Compatible with the most common loads such as: fans, blowers, compressors, pumps, mixers, agitators, feeders, centrifuges, cranes, hoists, presses, extruders, and textile spinning machines.

Product Specifications

- » Sensorless Vector Control
- » 0.01 - 400 Hz
- » 60 sec. 150% overload, CT applications
- » 60 sec. 120% overload, VT applications
- » 3000 second accel/decel
- » DC braking
- » Auto-tuning
- » Sixteen preset speeds
- » Adjustable carrier frequencies
- » PID control
- » Frequency jump
- » Analog gain bias
- » Jog run
- » Electronic thermal overload
- » Auto-torque boost, trip history monitor and software lock
- » Speed search function
- » Intelligent input function
- » RS485 - Modbus communications
- » Other communications options available
- Consult factory



SECTION 1
VARIABLE FREQUENCY DRIVES

460 Volt, Three-Phase In / 460 Volt, Three-Phase Out									
Constant Torque 150% Overload		Variable Torque 120% Overload		Model Number	List Price	Dimensions (in) H x W x D	Approx. Weight (lbs.)	Conduit Connection Box NEMA 1 Enclosure	
HP	Output Current	HP	Output Current					Model Number	List Price
0.5	1.8	—	—	N700E-004HF	\$875.00	5.04 x 4.25 x 5.6	2.6	Standard	—
1	3.4	—	—	N700E-007HF	\$918.14	5.04 x 4.25 x 5.6	2.6	Standard	—
2	4.8	—	—	N700E-015HF	\$1,059.73	5.04 x 4.25 x 5.6	3.3	Standard	—
3	7.2	—	—	N700E-022HF	\$1,324.12	5.04 x 4.25 x 5.6	3.3	Standard	—
5	9.2	—	—	N700E-037HF	\$1,485.62	5.04 x 5.42 x 5.78	4.4	Standard	—
7.5	12	10	15	N700E-055HFC	\$2,068.58	10.82 x 8.26 x 6.61	9.3	CBOX-5.5-11	\$127.21
10	16	15	22	N700E-075HFC	\$2,529.87	10.82 x 8.26 x 6.61	9.3	CBOX-5.5-11	\$127.21
15	23	20	29	N700E-110HFC	\$3,161.50	10.82 x 8.26 x 6.61	9.3	CBOX-5.5-11	\$127.21
20	32	25	37	N700E-150HFC	\$3,652.65	15.4 x 9.85 x 7.4	16	CBOX-15-22	\$143.81
25	38	30	43	N700E-185HFC	\$4,058.63	15.4 x 9.85 x 7.4	16	CBOX-15-22	\$143.81
30	45	40	57	N700E-220HF	\$4,849.56	15.4 x 9.85 x 7.4	17	CBOX-15-22	\$143.81
40	58	50	70	N700E-300HFC	\$6,974.56	20.86 x 12.28 x 10.63	48	CBOX-30-37	\$259.96
50	75	60	85	N700E-370HFC	\$8,214.60	20.86 x 12.28 x 10.63	48	CBOX-30-37	\$259.96
60	90	75	105	N700E-450HFC	\$9,938.05	21.57 x 13.46 x 11.02	60	CBOX-45-55	\$348.45
75	110	100	135	N700E-550HFC	\$11,248.89	21.57 x 13.46 x 11.02	66	CBOX-45-55	\$348.45
100	149	125	160	N700E-750HF	\$14,725.66	27.48 x 15.6 x 11.02	110	CBOX-75-90	\$387.17
125	176	150	195	N700E-900HFC	\$18,551.99	27.48 x 15.6 x 11.02	110	CBOX-75-90	\$387.17
150	217	200	230	N700E-1100HFC	\$20,318.58	29.13 x 18.89 x 11.81	132	CBOX-110-132	\$636.06
200	260	250	285	N700E-1320HFC	\$23,422.57	29.13 x 18.89 x 11.81	132	CBOX-110-132	\$636.06
250	300	300	370	N700E-1600HF	\$40,297.57	36.22 x 19.92 x 15.35	242	CBOX-160-220	\$931.42
300	415	350	450	N700E-2200HFC	\$41,369.47	36.22 x 19.92 x 15.35	242	CBOX-160-220	\$931.42
400	525	450	600	N700E-2800HF	\$54,632.74	40.15 x 31.73 x 15.55	375	CBOX-280-350	\$1,356.19
500	656	550	680	N700E-3500HFC	\$61,518.81	40.15 x 31.73 x 15.55	375	CBOX-280-350	\$1,356.19

Remote Keypads & Cables

Model Number	Description	List Price
ROP7	LED Remote Keypad Unit	\$204.65
N700E-LCD-KIT-HF	Advanced LCD Keypad	\$663.72
NOP1-1A	Cable, 1.5 Meter	\$44.25
NOP1-3A	Cable, 3 Meter	\$69.69

Additional Product Notes

All WorldWide Hyundai N700E drives can be used for single-phase input / three-phase output. Consult factory to size appropriately. Always check and verify motor full load amps before selecting a VFD.

N700E Series Variable Frequency Drives Specifications

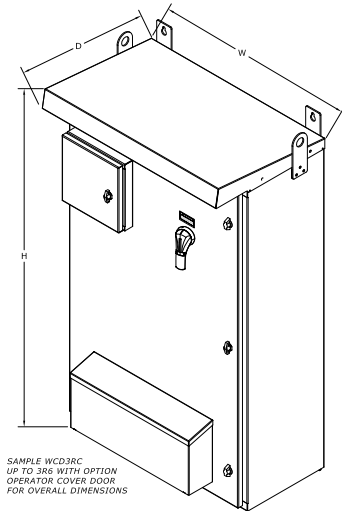
Specification		Description	
Control Method		Sensorless Vector PWM	
Output Frequency Range		0.01~400Hz	
Frequency Accuracy		Digital: Max Frequency ±0.01% Analog: Max Frequency ±0.1%	
Frequency Resolution		Digital setting: 0.01 Hz (< 100 Hz), 0.1 Hz (> 100 Hz) Analog, DC 5V Input: Max frequency / 500 Analog, DC 0~10V, 4~20mA: Max frequency / 1,000	
V/f Characteristic		Base frequency: 0~400 Hz free set Torque pattern selection available (constant torque / reduced torque)	
Overload Capacity		150%: 60 seconds (heavy duty) 120%: 60 seconds (normal duty)	
Acceleration / Deceleration Time		0.1~3,000 seconds (linear / curve selection available) 2 nd Acceleration / Deceleration setting available	
DC Braking		Performs between minimum frequency and established braking frequency Level and time setting available	
Input	Frequency Setting	Standard Operator	Set via volume up / down keys 1 W, 1~2 kΩ variable resistor
		External Signal	DC 0~10 V (input impedance 10 kΩ), 4~20 mA (input impedance 250Ω)
	Forward Reverse Start/Stop	Standard Operator	Run key / Stop key (change forward / reverse by function command)
		External Signal	Forward run / stop, reverse run / stop set by terminal assignment (1a, 1b selection available)
Intelligent Input Terminal	FW (Forward) RV (Reverse) CF-1~4 (Multi-speed) RD (Reset)	AT (Analog input current / voltage transfer) USP (Unattended Start Protection) EXT (External Trip) FRS (Free Run Stop)	JG (Jogging Command) SFT (Software Lock Command) 2CH (2 nd Acc/Dec) SET (2 nd Motor Constants Setting)
Output	Intelligent Output Terminal	RUN (Run Signal) FA1 (Frequency Arrival Signal [at set frequency]) FA2 (Frequency Arrival Signal [at or above set frequency])	OL (Overload Advanced Notice Signal) OD (Output Deviation of PID Signal) AL (Alarm Signal)
	Frequency Monitor	Analog meter (DC0~10V full scale, Max 1 mA) Analog output frequency signal and analog output current signal Analog output voltage signal selection available	
	Alarm Output Contact	Off when inverter alarm (b contact output) / Auto switch ON And OFF Intelligent output terminal use available	
Main Functions		Auto-tuning AVR Function V/F Setting Curve Accel. / Decel. Selection Frequency Upper / Lower Limit, 6 Level Multi-speed Start Frequency Set Carrier Frequency Setting (0.5~15 kHz) PID Control Frequency Jump Analog Gain Bias Control	Jogging Run Electronic Thermal Level Control Retry Auto Torque Boost Trip History Monitor Software Lock S-shape Accel. / Decel. Frequency Conversion Display USP 2nd Control
Protective Functions		Over-current Protection Overload (electronic thermal) Over-voltage Communication Error Under-voltage Output Short	USP Error EEPROM Error External Trip Ground Fault Temperature Trip
Environmental Conditions	Ambient Temperature	-10~50°C (over 40°C: set carrier frequency below 2.0 kHz)	
	Storage Temperature	-20~60°C (while transporting: short time)	
	Ambient Humidity	Below 90% RH (non-condensing)	
	Vibration	5.9 m/s ² (0.6 G). 10~55 Hz (JIS C0911 test methodology)	
	Location	Less than 1,000 m above sea level, Indoor (no corrosive gas, no flammable gas, no oil-drop, no dust)	
Options		Remote Operator Remote Operator Cable Regenerative Braking Resistor	

WCD Series - Configurable NEMA 3R Enclosed Panels for Hyundai N700E

The WCD Series of Enclosed Drives offer the broadest range of size and configurations in the industry. Simple optional adder codes allow the user to customize as required for the most demanding of applications.

Product Specifications

- » 3HP through 550HP (Hyundai N700E VFD)
- » Three-phase or single-phase input
- » CT and VT ratings
- » Heavy duty NEMA 3R Enclosure
- » Hooded (sloped roof), ventilated and filtered
- » Heavy duty mounting ears and lifting straps
- » Bottom-to-top ventilation (heat-shedding design)
- » Forced-air filtered fans (positive pressure design)
- » Galvanized back panel
- » Heater package option available
- » Concealed hinges and padlockable door
- » Padlock disconnect on main CB
- » 3% line reactors
- » Control transformer with CB protection
- » Dual control thermostat



SECTION 1
VARIABLE FREQUENCY DRIVES

Voltage	Constant Torque		Variable Torque		Enclosure H x W x D (in)	Model Number	List Price
	Heavy Duty		Normal Duty				
	HP	Current	HP	Current			
230	3	11.0	-	-	32 x 25 x 17	WCD3RC-011A2A	\$7,319.00
230	5	17.0	-	-	32 x 25 x 17	WCD3RC-017A2A	\$7,454.00
230	7.5	24	10	30	32 x 25 x 17	WCD3RC-030A2A	\$8,442.00
230	10	32	15	44	32 x 25 x 17	WCD3RC-040A2A	\$8,895.00
230	15	45	20	50	32 x 25 x 17	WCD3RC-050A2A	\$9,510.00
230	20	64	25	73	40 x 25 x 19	WCD3RC-073A2A	\$10,709.00
230	25	76	30	85	40 x 25 x 19	WCD3RC-085A2A	\$11,148.00
230	30	90	40	90	40 x 25 x 19	WCD3RC-090A2A	\$12,106.00
230	40	114	50	140	50 x 31 x 21	WCD3RC-150A2A	\$15,495.00
230	50	140	60	170	56 x 37 x 23	WCD3RC-170A2A	\$17,029.00
230	60	170	75	205	56 x 37 x 23	WCD3RC-205A2A	\$19,590.00
230	75	211	100	261	63 x 37 x 25	WCD3RC-261A2A	\$21,658.00
230	100	251	125	310	63 x 37 x 25	WCD3RC-310A2A	\$27,271.00
460	3	7.2	3	7.2	32 x 25 x 17	WCD3RC-007A4A	\$7,600.00
460	5	9.2	5	9.2	32 x 25 x 17	WCD3RC-009A4A	\$7,817.00
460	7.5	12	10	15	32 x 25 x 17	WCD3RC-015A4A	\$8,792.00
460	10	16	15	22	32 x 25 x 17	WCD3RC-022A4A	\$9,579.00
*	460	15	20	29	32 x 25 x 17	WCD3RC-029A4A	\$10,367.00
*	460	20	32	37	40 x 25 x 19	WCD3RC-037A4A	\$11,155.00
	460	25	38	43	40 x 25 x 19	WCD3RC-043A4A	\$11,945.00
*	460	30	45	57	40 x 25 x 19	WCD3RC-057A4A	\$13,526.00
	460	40	58	70	50 x 31 x 21	WCD3RC-070A4A	\$15,750.00
*	460	50	75	85	50 x 31 x 21	WCD3RC-085A4A	\$17,500.00
*	460	60	90	105	50 x 31 x 21	WCD3RC-105A4A	\$20,570.00
	460	75	110	135	50 x 31 x 21	WCD3RC-135A4A	\$23,085.00
*	460	100	149	160	56 x 37 x 23	WCD3RC-160A4A	\$28,635.00
*	460	125	176	195	56 x 37 x 23	WCD3RC-195A4A	\$32,659.00
*	460	150	217	230	63 x 37 x 25	WCD3RC-230A4A	\$39,289.00
	460	200	260	285	63 x 37 x 25	WCD3RC-285A4A	\$45,000.00
	460	250	300	370	68 x 38 x 25	WCD3RC-370A4A	\$59,840.00
	460	300	415	450	68 x 38 x 25	WCD3RC-450A4A	\$64,232.00
	460	400	525	600	88 x 65 x 31	WCD3RC-600A4A	\$86,631.00
	460	500	656	680	88 x 65 x 31	WCD3RC-680A4A	\$98,822.00

Additional Product Notes

Consult factory for single phase input ratings

WorldWide Configured Drive Selection Guide

WCD 3R C - 004 A 4A

+ OPTIONS

WORLDWIDE CONFIGURED DRIVE
(VARIABLE FREQUENCY)

3R = NEMA 3R ENCLOSURE
4 = NEMA 4 ENCLOSURE
12 = NEMA 12 ENCLOSURE

C = COMBINATION WITH MAIN CIRCUIT BREAKER
BLANK = NO MAIN CIRCUIT BREAKER

VFD AMPERAGE RATING, WITH 60 SECOND 120% OVERLOAD CAPACITY, (NORMAL DUTY)
CONSULT TABLES FOR 60 SECOND 150% OVERLOAD CAPACITY, (HEAVY DUTY)

VFD TYPE (MODEL)
A: HYUNDAI N700E
B: WDFC (WORLD DRIVE FLEX CONTROL)

VOLTAGE CODE:
2A: 200-240VAC +/-10%
4A: 380-480VAC +/-10%

A	EMI/RFI Filter
B	3% Line Reactor (Standard in 3R and SDA)
B2	5% Line Reactor
C	IPHF (Passive Harmonic Filter)
D	2 Contactor Bypass
D2	RVSS Bypass
E	3 Contactor Bypass
F	Output Reactor
G	dV/dT Filter
G2	Output Sinewave Filter
H	On/Off/Auto Switch (2-Wire Control)
I	Speed Pot
J	Start/Stop PB
J2	40mm ESTOP PB
K	Hand/Off/Auto Switch
L	Surge Suppression
M	SID1 Installed
M2	N700E LCD Keypad
M3	WDFC LCD Keypad
M4	WDFC LCD Keypad with 4X cover
M7	SID7 Installed
N	Panel Space Heater, 150W
N2	Panel Space Heater, 50W
O	Green Run Pilot Light
P	Amber Fault Pilot Light and Reset Pushbutton
Q	White Drive Ready Pilot Light
R	Hinged Solid Control Door Cover for 3R
S	Hinged Window Control Door Cover for 3R
R1	4X Clear HMI door cover 10"H x 8"W
U	1.3A, 24VDC Power Supply for Loop Power

WCD Series - Configurable NEMA 3R Enclosed Panel Options for Hyundai N700E

The WCD Series of Enclosed Drives offer the broadest range of size and configurations in the industry. Simple optional adder codes allow the user to customize as required for the most demanding of applications.

SECTION 1
VARIABLE FREQUENCY DRIVES

Options 480 V Model Number	Option Adder Codes / List Prices (Add codes at end of base model number in alpha order)					
	5% Line Reactor Upgrade	IEEE Harmonic Filter Upgrade	2 Contactor Bypass	3 Contactor Bypass	Output Reactor	DV / DT Filter
	B ⁽¹⁾	C ⁽¹⁾	D ⁽¹⁾	E ⁽¹⁾	F ⁽¹⁾	G ⁽¹⁾
WCD3RC-007A4A	\$119.00	\$4,588.00	\$1,541.00	\$1,744.00	\$891.00	\$1,585.00
WCD3RC-009A4A	\$119.00	\$4,588.00	\$1,542.00	\$1,745.00	\$891.00	\$1,635.00
WCD3RC-015A4A	\$148.00	\$4,728.00	\$1,911.00	\$2,125.00	\$991.00	\$1,650.00
WCD3RC-022A4A	\$159.00	\$4,848.00	\$2,022.00	\$2,301.00	\$1,004.00	\$1,965.00
WCD3RC-029A4A	\$164.00	\$5,913.00	\$3,006.00	\$3,339.00	\$1,129.00	\$2,205.00
WCD3RC-037A4A	\$234.00	\$6,538.00	\$3,248.00	\$3,602.00	\$1,247.00	\$2,280.00
WCD3RC-043A4A	\$234.00	\$7,552.00	\$3,600.00	\$4,071.00	\$1,385.00	\$2,380.00
WCD3RC-057A4A	\$264.00	\$9,314.00	\$4,613.00	\$5,135.00	\$1,417.00	\$2,440.00
WCD3RC-070A4A	\$398.00	\$9,761.00	\$5,077.00	\$5,758.00	\$1,794.00	\$3,310.00
WCD3RC-085A4A	\$421.00	\$10,559.00	\$5,221.00	\$5,962.00	\$1,912.00	\$3,865.00
WCD3RC-105A4A	\$421.00	\$11,882.00	\$5,946.00	\$6,915.00	\$2,130.00	\$3,920.00
WCD3RC-135A4A	\$461.00	\$14,270.00	\$6,293.00	\$7,558.00	\$2,468.00	\$4,565.00
WCD3RC-160A4A	\$472.00	\$15,724.00	\$7,086.00	\$8,766.00	\$2,724.00	\$4,990.00
WCD3RC-195A4A	\$524.00	\$23,380.00	\$7,758.00	\$9,912.00	\$3,127.00	\$5,370.00
WCD3RC-230A4A	\$710.00	\$24,775.00	\$8,429.00	\$10,887.00	\$4,009.00	\$5,610.00
WCD3RC-285A4A	\$741.00	\$27,062.00	\$14,451.00	\$17,703.00	\$4,428.00	\$6,145.00
WCD3RC-370A4A	\$786.00	\$33,942.00	\$16,141.00	\$20,081.00	\$4,505.00	\$6,935.00
WCD3RC-450A4A	\$794.00	\$46,632.00	\$14,038.00	\$19,465.00	\$6,194.00	\$8,405.00
WCD3RC-600A4A	\$1,345.00	\$56,034.00	\$22,514.00	\$32,460.00	\$8,745.00	\$11,732.00
WCD3RC-680A4A	\$1,458.00	\$56,034.00	\$22,514.00	\$32,460.00	\$10,090.00	\$14,205.00

Option Code	Option Description	List Price
H ⁽²⁾	On-Off-Auto Selector Switch	\$294.00
I ⁽²⁾	Speed Potentiometer	\$534.00
J ⁽²⁾	Start/Stop Pushbuttons	\$560.00
K ⁽²⁾	Hand-Off-Auto Selector Switch	\$294.00
L ⁽²⁾	Surge Suppression	\$960.00
M ⁽²⁾	Installed SID1 Text Keypad	\$1,995.00
M2 ⁽²⁾	Remote Mount LCD Keypad	\$663.72
M7 ⁽²⁾	Installed SID7 Operator Interface	\$5,867.00

Option Code	Option Description	List Price
N ⁽²⁾	Panel Space Heater - 150W	\$747.00
O ⁽²⁾	Green Run Pilot Light	\$294.00
P ⁽²⁾	Amber Fault Pilot Light and Reset Pushbutton	\$575.00
Q ⁽²⁾	White Drive Ready Pilot Light	\$267.00
R ⁽²⁾	Lockable, solid control door cover	\$907.00
S ⁽²⁾	Lockable, window control door cover	\$1,064.00
T ⁽²⁾	24 / 7 timer	\$700.00
U ⁽²⁾	1.3A, 24VDC Power Supply for Loop Power	\$406.00

***Stocked Panels**

Available for immediate delivery

Model Number	List Price
WCD3RC-029A4A+HI	\$11,377.21
WCD3RC-037A4A+HI	\$12,703.54
WCD3RC-057A4A+HI	\$14,248.89
WCD3RC-085A4A+HI	\$18,328.00
WCD3RC-105A4A+HI	\$22,527.65
WCD3RC-160A4A+HI	\$31,024.34
WCD3RC-195A4A+HI	\$35,263.27
WCD3RC-230A4A+HI	\$41,345.00

Additional Product Notes

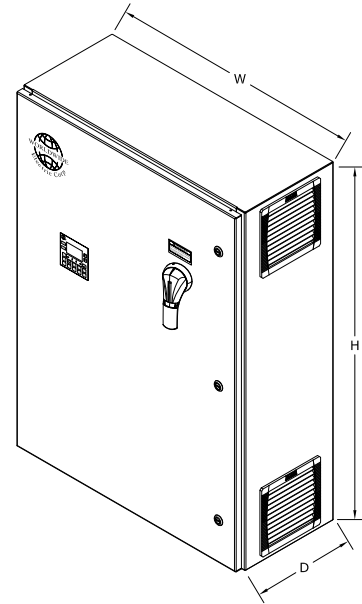
- For 770B4A & 960B4A, consult factory.
- (1) Options B, C, D, E, F, G may result in enclosure dimensional changes
- (1) Price includes changes
- (2) All other options are common - no dimensional changes

WWESDA Series - Standard Duty NEMA 12 Enclosed Panels for Hyundai N700E

The WWESDA Series of Standard Duty Drive Packages provides the user with feature sets that allow for quick and easy configuration.

Product Specifications

- » 3HP through 550HP (Hyundai N700E VFD)
- » Three-phase or single-phase input
- » CT and VT ratings
- » Standard duty NEMA 12 indoor rated enclosure
- » Forced-air filtered fans (positive pressure design)
- » Padlock disconnect on main CB
- » 3% line reactors
- » Control transformer with CB protection
- » Dual control thermostat
- » SID1 (Smart Interface Device) with extended functions



Voltage ⁽¹⁾	Constant Torque		Variable Torque		Dimensions (in.) H x W x D	Model Number	List Price
	Heavy Duty		Normal Duty				
	HP	Current	HP	Current			
480	3	7.2	3	7.2	20 x 16 x 8	WWESDA-DRV12-003-4	\$8,844.03
480	5	9.2	5	9.2	20 x 16 x 8	WWESDA-DRV12-005-4	\$9,015.49
480	7.5	12	10	15	30 x 20 x 10	WWESDA-DRV12-007-4	\$10,896.02
480	10	16	15	22	30 x 20 x 10	WWESDA-DRV12-010-4	\$11,338.50
480	15	23	20	29	30 x 20 x 10	WWESDA-DRV12-015-4	\$12,057.52
480	20	32	25	37	36 x 24 x 12	WWESDA-DRV12-020-4	\$12,831.86
480	25	38	30	43	36 x 24 x 12	WWESDA-DRV12-025-4	\$13,495.58
480	30	45	40	57	36 x 24 x 12	WWESDA-DRV12-030-4	\$14,269.91
480	40	58	50	70	42 x 30 x 16	WWESDA-DRV12-040-4	\$17,367.26
480	50	75	60	85	42 x 30 x 16	WWESDA-DRV12-050-4	\$19,469.03
480	60	90	75	105	42 x 30 x 16	WWESDA-DRV12-060-4	\$21,792.04
480	75	110	100	135	42 x 30 x 16	WWESDA-DRV12-075-4	\$23,672.57
480	100	149	125	160	48 x 30 x 16	WWESDA-DRV12-100-4	\$28,207.96
480	125	176	150	195	48 x 30 x 16	WWESDA-DRV12-125-4	\$31,747.79
480	150	217	200	230	60 x 36 x 16	WWESDA-DRV12-150-4	\$37,721.24
480	200	260	250	285	60 x 36 x 16	WWESDA-DRV12-200-4	\$40,929.20
480	250	300	300	370	84 x 39.5 x 24	WWESDA-DRV12-250-4	\$60,176.99
480	300	415	350	450	84 x 39.5 x 24	WWESDA-DRV12-300-4	\$63,495.58
480	400	525	450	600	Consult Factory	WWESDA-DRV12-400-4	\$90,984.51
480	500	656	550	680	Consult Factory	WWESDA-DRV12-500-4	\$99,834.07

Additional Product Notes

- (1) Also available in three-phase, 230-volt; consult factory.