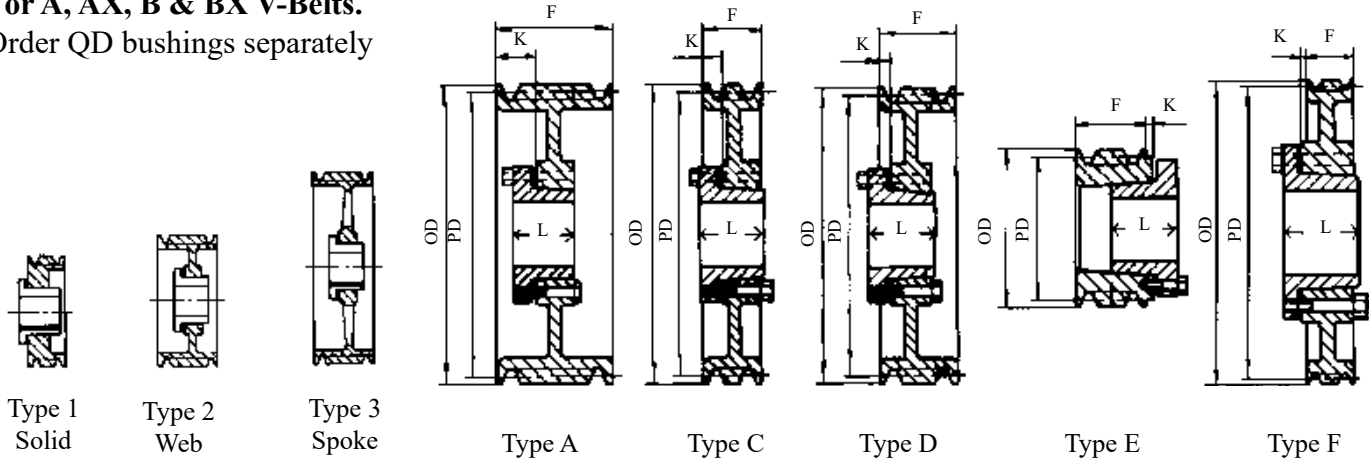


QD Bushing Sheaves

Cast Iron Sheaves - Heavy Duty
 Bushed, One and Two Groove
 A-B QD Sheaves
 Order part number size
 Example: 1B34SH



For A, AX, B & BX V-Belts.
 Order QD bushings separately



O.D.	P.D.		1 Groove F = 1B34SH THRU 1B64SDS = 7/8 1B66SDS THRU 1B300SF = 1						2 Groove F = 1 3/4					
	A	B	Part No.	Bush	Type	K	L	WT.	Part No.	Bush	Type	K	L	WT.
3.75	3.00	3.40	1B34SH	SH	D-1	0	1 5/16	1.4	*2B34SH	SH	E-1	0	1 5/16	2.4
3.95	3.20	3.60	1B36SH	SH	D-1	0	1 5/16	1.6	*2B36SH	SH	D-1	3/16	1 5/16	2.7
4.15	3.40	3.80	1B38SH	SH	D-1	0	1 5/16	1.7	*2B38SH	SH	D-1	3/16	1 5/16	2.9
4.35	3.60	4.00	1B40SH	SH	C-1	1/16	1 5/16	1.9	+2B40SH	SH	A-1	11/16	1 5/16	3.2
4.55	3.80	4.20	1B42SH	SH	C-1	1/16	1 5/16	2.2	+2B42SH	SH	A-1	11/16	1 5/16	3.7
4.75	4.00	4.40	1B44SH	SH	C-1	1/16	1 5/16	2.5	2B44SH	SH	A-1	11/16	1 5/16	4.1
4.95	4.20	4.60	1B46SDS	SDS	C-1	1/8	1 5/16	2.5	2B46SDS	SDS	A-1	11/16	1 5/16	4.2
5.15	4.40	4.80	1B48SDS	SDS	C-1	1/8	1 5/16	2.8	2B48SDS	SDS	A-1	11/16	1 5/16	4.6
5.35	4.60	5.00	1B50SDS	SDS	C-1	1/8	1 5/16	3.1	2B50SDS	SDS	A-1	11/16	1 5/16	5.0
5.55	4.80	5.20	1B52SDS	SDS	C-1	1/8	1 5/16	3.3	2B52SDS	SDS	A-1	11/16	1 5/16	5.4
5.75	5.00	5.40	1B54SDS	SDS	C-1	1/8	1 5/16	3.7	2B54SDS	SDS	A-1	11/16	1 5/16	5.8
5.95	5.20	5.60	1B56SDS	SDS	C-1	1/8	1 5/16	4.2	2B56SDS	SDS	A-1	11/16	1 5/16	6.1
6.15	5.40	5.80	1B58SDS	SDS	C-1	1/8	1 5/16	3.9	2B58SDS	SDS	A-1	11/16	1 5/16	6.1
6.35	5.60	6.00	1B60SDS	SDS	C-2	1/8	1 5/16	4.0	2B60SDS	SDS	A-2	11/16	1 5/16	6.4
6.55	5.80	6.20	1B62SDS	SDS	C-2	1/8	1 5/16	4.2	2B62SDS	SDS	A-2	11/16	1 5/16	6.7
6.75	6.00	6.40	1B64SDS	SDS	C-2	1/8	1 5/16	4.3	2B64SDS	SDS	A-2	11/16	1 5/16	7.1
6.95	6.20	6.60	1B66SDS	SDS	C-2	1/4	1 5/16	5.1	2B66SDS	SDS	A-2	11/16	1 5/16	7.6
7.15	6.40	6.80	1B68SDS	SDS	C-2	1/4	1 5/16	5.3	2B68SDS	SDS	A-2	11/16	1 5/16	7.8
7.35	6.60	7.00	1B70SDS	SDS	C-2	1/4	1 5/16	5.6	2B70SK	SK	D-2	7/16	1 15/16	9.5
7.75	7.00	7.40	1B74SDS	SDS	C-2	1/4	1 5/16	6.0	2B74SK	SK	D-2	7/16	1 15/16	10.2
8.35	7.60	8.00	1B80SDS	SDS	C-2	1/4	1 5/16	6.6	2B80SK	SK	D-2	7/16	1 15/16	10.8
8.95	8.20	8.60	1B86SDS	SDS	C-3	1/4	1 5/16	6.8	2B86SK	SK	D-3	7/16	1 15/16	11.7
9.35	8.60	9.00	1B90SDS	SDS	C-3	1/4	1 5/16	7.0	2B90SK	SK	D-3	7/16	1 15/16	13.0
9.75	9.00	9.40	1B94SDS	SDS	C-3	1/4	1 5/16	7.4	2B94SK	SK	D-3	7/16	1 15/16	13.2
11.35	10.60	11.00	1B110SDS	SDS	C-3	1/4	1 5/16	10.5	2B110SK	SK	D-3	7/16	1 15/16	16.4
12.75	12.00	12.40	1B124SDS	SDS	C-3	1/4	1 5/16	11.5	2B124SK	SK	D-3	7/16	1 15/16	18.3
13.95	13.20	13.60	1B136SDS	SDS	C-3	1/4	1 5/16	12.9	2B136SK	SK	D-3	7/16	1 15/16	20.3
15.75	15.00	15.40	1B154SK	SK	F-3	1/4	1 15/16	17.1	2B154SK	SK	D-3	7/16	1 15/16	23.8
16.35	15.60	16.00	1B160SK	SK	F-3	1/4	1 15/16	18.6	2B160SK	SK	D-3	7/16	1 15/16	24.3
18.75	18.00	18.40	1B184SK	SK	F-3	1/4	1 15/16	23.8	2B184SK	SK	D-3	7/16	1 15/16	31.8
20.35	19.60	20.00	1B200SK	SK	F-3	1/4	1 15/16	27.0	2B200SF	SF	D-3	3/8	2 1/16	33.4
25.35	24.60	25.00	1B250SF	SF	F-3	1/4	2 1/16	39.0	2B250SF	SF	D-3	3/8	2 1/16	45.0
30.35	29.60	30.00	1B300SF	SF	F-3	1/4	2 1/16	57.0	2B300SF	SF	D-3	3/8	2 1/16	71.2
38.35	37.60	38.00							2B380SF	SF	D-3	3/8	2 1/16	103.0

* = Can only be mounted from one direction.

+ = Includes cap screws to be used in place of the ones that come with the bushing.

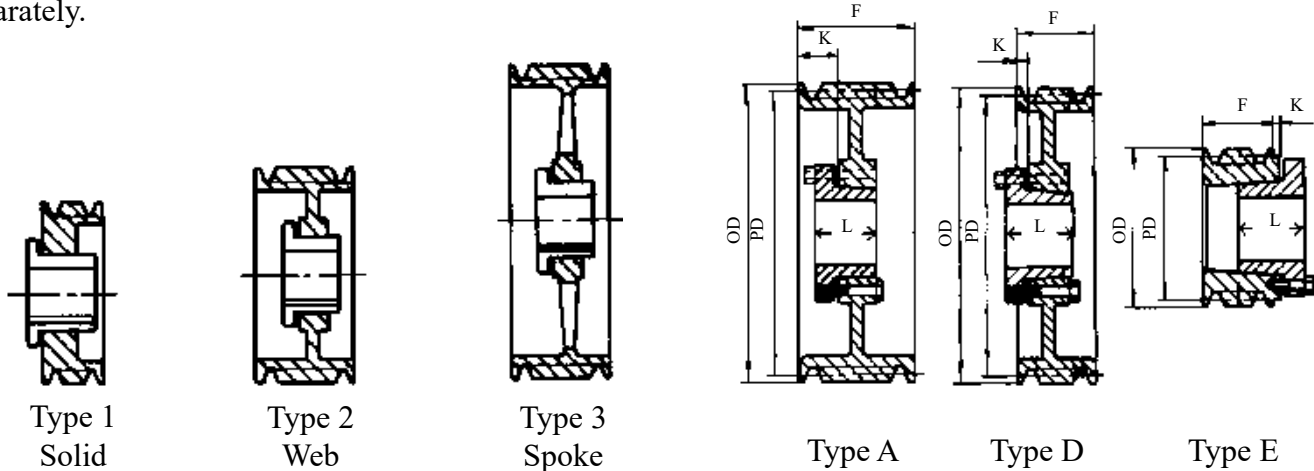
Note: Cast iron sheaves may not exceed 6500 FPM. This speed **DOES NOT** specify if dynamic balancing (2 plane) is required. Contact customer service to verify whether dynamic balancing is required.

QD Bushing Sheaves

Cast Iron Sheaves - Heavy Duty
 Bushed, Three and Four Groove
 A-B QD Sheaves
 Order part number size
 Example: 3B34SH



For A, AX, B & BX V-Belts. Order QD bushings separately.



O.D.	P.D.		3 Groove F = 2 1/2					4 Groove F = 3 1/4						
	A	B	Part No.	Bush	Type	K	L	WT.	Part No.	Bush	Type	K	L	WT.
3.75	3.00	3.40	*3B34SH	SH	E-1	0	1 5/16	3.3	*+4B34SD	SD	E-1	5/16	1 13/16	4.3
3.95	3.20	3.60	*3B36SH	SH	D-1	3/16	1 5/16	3.6	*+4B36SD	SD	E-1	5/16	1 13/16	4.8
4.15	3.40	3.80	*3B38SH	SH	D-1	3/16	1 5/16	3.8	*+4B38SD	SD	E-1	5/16	1 13/16	5.2
4.35	3.60	4.00	+3B40SH	SH	A-1	1 1/16	1 5/16	4.2	*4B40SD	SD	E-1	0	1 13/16	5.6
4.55	3.80	4.20	+3B42SH	SH	A-1	1 1/16	1 5/16	4.8	*4B42SD	SD	E-1	0	1 13/16	6.2
4.75	4.00	4.40	3B44SH	SH	A-1	1 1/16	1 5/16	5.3	*4B44SD	SD	E-1	0	1 13/16	6.6
4.95	4.20	4.60	+3B46SD	SD	A-1	1 1/16	1 13/16	6.0	+4B46SD	SD	A-1	1 5/16	1 13/16	7.2
5.15	4.40	4.80	3B48SD	SD	A-1	1 1/16	1 13/16	6.5	4B48SD	SD	A-1	1 5/16	1 13/16	7.9
5.35	4.60	5.00	3B50SD	SD	A-1	1 1/16	1 13/16	7.2	4B50SD	SD	A-1	1 5/16	1 13/16	8.4
5.55	4.80	5.20	3B52SD	SD	A-1	1 1/16	1 13/16	7.8	4B52SD	SD	A-1	1 5/16	1 13/16	9.2
5.75	5.00	5.40	3B54SD	SD	A-1	1 1/16	1 13/16	8.4	4B54SD	SD	A-1	1 5/16	1 13/16	9.8
5.95	5.20	5.60	3B56SD	SD	A-1	1 1/16	1 13/16	9.0	4B56SD	SD	A-1	1 5/16	1 13/16	10.7
6.15	5.40	5.80	3B58SD	SD	A-1	1 1/16	1 13/16	9.7	4B58SD	SD	A-1	1 5/16	1 13/16	11.4
6.35	5.60	6.00	3B60SD	SD	A-1	1 1/16	1 13/16	8.9	4B60SD	SD	A-1	1 5/16	1 13/16	10.9
6.55	5.80	6.20	3B62SD	SD	A-2	1 1/16	1 13/16	9.4	4B62SD	SD	A-2	1 5/16	1 13/16	11.3
6.75	6.00	6.40	3B64SD	SD	A-2	1 1/16	1 13/16	9.7	4B64SD	SD	A-2	1 5/16	1 13/16	11.7
6.95	6.20	6.60	3B66SD	SD	A-2	1 1/16	1 13/16	10.0	4B66SD	SD	A-2	1 5/16	1 13/16	12.2
7.15	6.40	6.80	3B68SD	SD	A-2	1 1/16	1 13/16	11.1	4B68SD	SD	A-2	1 5/16	1 13/16	13.0
7.35	6.60	7.00	3B70SK	SK	A-2	1 1/16	1 15/16	11.4	4B70SK	SK	A-2	1	1 15/16	13.7
7.75	7.00	7.40	3B74SK	SK	A-2	1 1/16	1 15/16	12.5	4B74SK	SK	A-2	1	1 15/16	14.8
8.35	7.60	8.00	3B80SK	SK	A-2	1 1/16	1 15/16	13.6	4B80SK	SK	A-2	1	1 15/16	16.3
8.95	8.20	8.60	3B86SK	SK	A-3	1 1/16	1 15/16	14.6	4B86SK	SK	A-3	1	1 15/16	17.7
9.35	8.60	9.00	3B90SK	SK	A-3	1 1/16	1 15/16	15.9	4B90SK	SK	A-3	1	1 15/16	19.0
9.75	9.00	9.40	3B94SK	SK	A-3	1 1/16	1 15/16	16.6	4B94SK	SK	A-3	1	1 15/16	19.7
11.35	10.60	11.00	3B110SK	SK	A-3	1 1/16	1 15/16	20.8	4B110SK	SK	A-3	1	1 15/16	25.2
12.75	12.00	12.40	3B124SK	SK	A-3	1 1/16	1 15/16	22.5	4B124SK	SK	A-3	1	1 15/16	28.4
13.95	13.20	13.60	3B136SK	SK	A-3	1 1/16	1 15/16	25.3	4B136SK	SK	A-3	1	1 15/16	31.3
15.75	15.00	15.40	3B154SK	SK	A-3	1 1/16	1 15/16	29.8	4B154SF	SF	A-3	1	2 1/16	37.6
16.35	15.60	16.00	3B160SK	SK	A-3	1 1/16	1 15/16	30.3	4B160SF	SF	A-3	1	2 1/16	38.6
18.75	18.00	18.40	3B184SK	SK	A-3	1 1/16	1 15/16	39.1	4B184SF	SF	A-3	1	2 1/16	45.2
20.35	19.60	20.00	3B200SF	SF	D-3	5/8	2 1/16	43.0	4B200SF	SF	A-3	1	2 1/16	52.0
25.35	24.60	25.00	3B250SF	SF	D-3	5/8	2 1/16	56.0	4B250E	E	A-3	1	2 3/4	72.0
30.35	29.60	30.00	3B300SF	SF	D-3	5/8	2 1/16	77.0	4B300E	E	A-3	1	2 3/4	97.0
38.35	37.60	38.00	3B380E	E	D-3	5/8	2 3/4	115.0	4B380E	E	A-3	1	2 3/4	151.1

* = Can only be mounted from one direction.

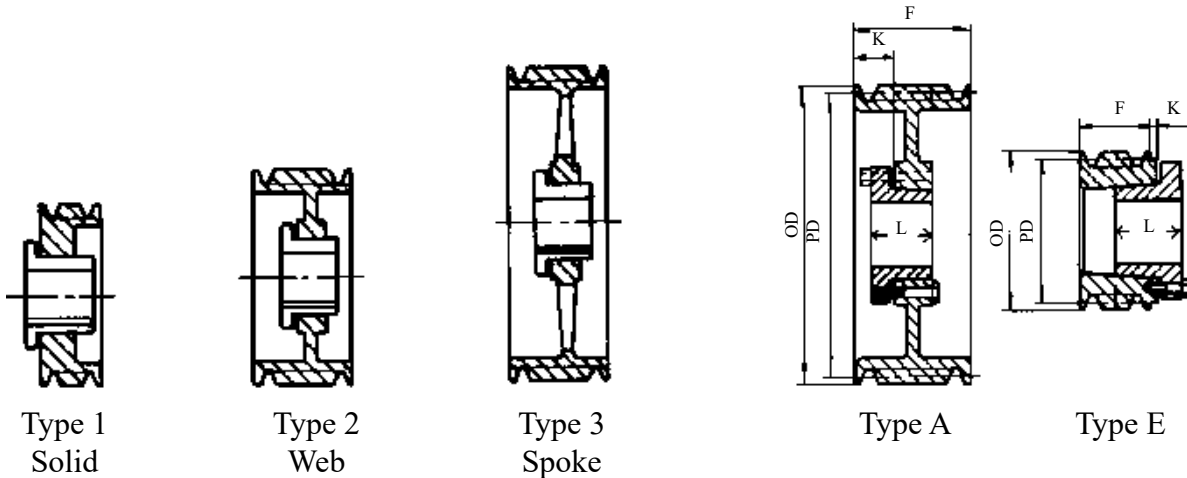
+ = Includes cap screws to be used in place of the ones that come with the bushing.

Note: Cast iron sheaves may not exceed 6500 FPM. This speed **DOES NOT** specify if dynamic balancing (2 plane) is required. Contact customer service to verify whether dynamic balancing is required.

QD Bushing Sheaves

Cast Iron Sheaves - Heavy Duty
 Bushed, Five and Six Groove
 A-B QD Sheaves
 Order part number size
 Example: 5B34SD

For A, AX, B & BX V-Belts.
 Order QD bushings separately.



O.D.	P.D.		5 Groove F = 4						6 Groove F = 4 3/4					
	A	B	Part No.	Bush	Type	K	L	WT.	Part No.	Bush	Type	K	L	WT.
3.75	3.00	3.40	*+5B34SD	SD	E-1	5/16	1 13/16	5.2	*+6B34SD	SD	E-1	5/16	1 13/16	5.8
3.95	3.20	3.60	*+5B36SD	SD	E-1	5/16	1 13/16	5.7	*+6B36SD	SD	E-1	5/16	1 13/16	6.8
4.15	3.40	3.80	*5B38SD	SD	E-1	5/16	1 13/16	6.2	*6B38SD	SD	E-1	5/16	1 13/16	7.1
4.35	3.60	4.00	*5B40SD	SD	E-1	0	1 13/16	6.5	*6B40SD	SD	E-1	0	1 13/16	7.7
4.55	3.80	4.20	*5B42SD	SD	E-1	0	1 13/16	7.1	*6B42SD	SD	E-1	0	1 13/16	8.6
4.75	4.00	4.40	*5B44SD	SD	E-1	0	1 13/16	7.8	*6B44SD	SD	E-1	0	1 13/16	9.3
4.95	4.20	4.60	+5B46SD	SD	A-1	1 5/16	1 13/16	8.5	+6B46SD	SD	A-1	1 3/16	1 13/16	9.8
5.15	4.40	4.80	5B48SD	SD	A-1	1 5/16	1 13/16	9.2	6B48SD	SD	A-1	1 3/16	1 13/16	10.8
5.35	4.60	5.00	5B50SD	SD	A-1	1 5/16	1 13/16	9.9	6B50SD	SD	A-1	1 3/16	1 13/16	11.0
5.55	4.80	5.20	5B52SD	SD	A-1	1 5/16	1 13/16	10.9	6B52SD	SD	A-1	1 3/16	1 13/16	12.0
5.75	5.00	5.40	5B54SK	SK	A-1	1 5/16	1 15/16	10.5	6B54SK	SK	A-1	1 5/16	1 15/16	12.5
5.95	5.20	5.60	5B56SK	SK	A-1	1 5/16	1 15/16	11.4	6B56SK	SK	A-1	1 5/16	1 15/16	13.3
6.15	5.40	5.80	5B58SK	SK	A-1	1 5/16	1 15/16	12.3	6B58SK	SK	A-1	1 5/16	1 15/16	14.1
6.35	5.60	6.00	5B60SK	SK	A-1	1 5/16	1 15/16	12.8	6B60SK	SK	A-1	1 5/16	1 15/16	15.4
6.55	5.80	6.20	5B62SK	SK	A-1	1 5/16	1 15/16	13.6	6B62SK	SK	A-1	1 5/16	1 15/16	16.4
6.75	6.00	6.40	5B64SK	SK	A-1	1 5/16	1 15/16	14.6	6B64SK	SK	A-1	1 5/16	1 15/16	17.3
6.95	6.20	6.60	5B66SK	SK	A-1	1 5/16	1 15/16	15.9	6B66SK	SK	A-1	1 5/16	1 15/16	17.9
7.15	6.40	6.80	5B68SK	SK	A-1	1 5/16	1 15/16	16.7	6B68SK	SK	A-1	1 5/16	1 15/16	19.3
7.35	6.60	7.00	5B70SF	SF	A-1	1 5/16	2 1/16	17.1	6B70SF	SF	A-1	1 11/16	2 1/16	19.8
7.75	7.00	7.40	5B74SF	SF	A-1	1 5/16	2 1/16	18.7	6B74SF	SF	A-2	1 11/16	2 1/16	22.4
8.35	7.60	8.00	5B80SF	SF	A-2	1 5/16	2 1/16	19.3	6B80SF	SF	A-2	1 11/16	2 1/16	25.4
8.95	8.20	8.60	5B86SF	SF	A-2	1 5/16	2 1/16	21.6	6B86SF	SF	A-2	1 11/16	2 1/16	25.7
9.75	9.00	9.40	5B94SF	SF	A-2	1 5/16	2 1/16	24.0	6B94SF	SF	A-2	1 11/16	2 1/16	27.9
11.35	10.60	11.00	5B110SF	SF	A-3	1 5/16	2 1/16	28.7	6B110SF	SF	A-3	1 11/16	2 1/16	33.1
12.75	12.00	12.40	5B124SF	SF	A-3	1 5/16	2 1/16	33.8	6B124SF	SF	A-3	1 11/16	2 1/16	37.5
13.95	13.20	13.60	5B136SF	SF	A-3	1 5/16	2 1/16	37.0	6B136SF	SF	A-3	1 11/16	2 1/16	42.0
15.75	15.00	15.40	5B154SF	SF	A-3	1 5/16	2 1/16	43.0	6B154SF	SF	A-3	1 11/16	2 1/16	49.0
16.35	15.60	16.00	5B160SF	SF	A-3	1 5/16	2 1/16	48.0	6B160SF	SF	A-3	1 11/16	2 1/16	48.8
18.75	18.00	18.40	5B184SF	SF	A-3	1 5/16	2 1/16	51.8	6B184SF	SF	A-3	1 11/16	2 1/16	60.0
20.35	19.60	20.00	5B200E	E	A-3	1 1/4	2 3/4	62.0	6B200E	E	A-3	1 3/8	2 3/4	72.0
25.35	24.60	25.00	5B250E	E	A-3	1 1/4	2 3/4	85.0	6B250E	E	A-3	1 3/8	2 3/4	94.0
30.35	29.60	30.00	5B300E	E	A-3	1 1/4	2 3/4	85.0	6B300E	E	A-3	1 3/8	2 3/4	131.0
38.35	37.60	38.00	5B380E	E	A-3	1 1/4	2 3/4	159.0	6B380E	E	A-3	1 3/8	2 3/4	183.0

* = Can only be mounted from one direction.

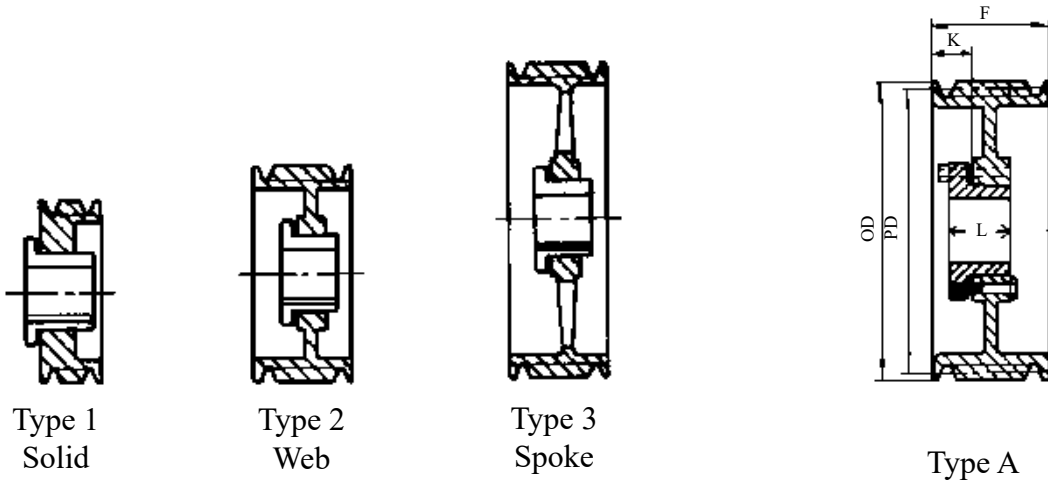
+ = Includes cap screws to be used in place of the ones that come with the bushing.

Note: Cast iron sheaves may not exceed 6500 FPM. This speed **DOES NOT** specify if dynamic balancing (2 plane) is required.
 Contact customer service to verify whether dynamic balancing is required.

QD Bushing Sheaves

Cast Iron Sheaves
 Bushed, Seven and Eight Groove
 A-B QD Sheaves
 Order part number size
 Example: 7B54SK

For A, AX, B & BX V-Belts. Order QD bushings separately.



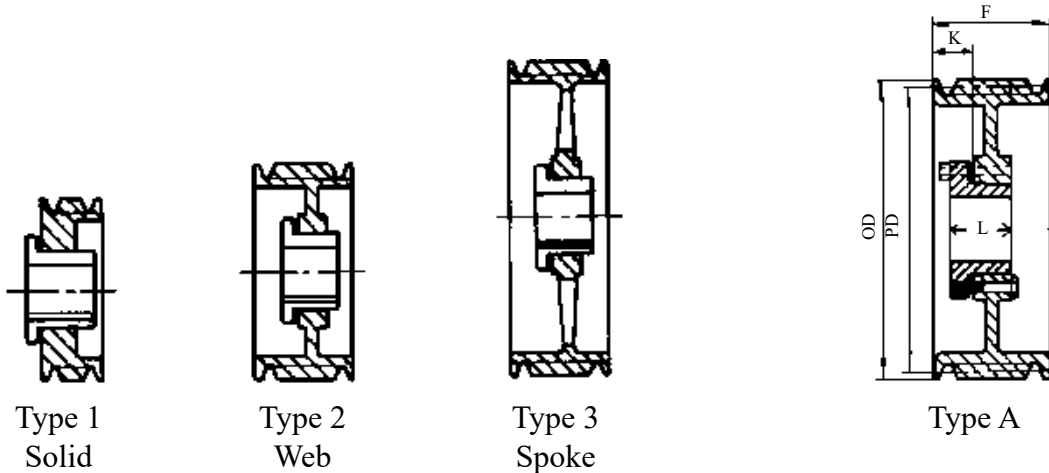
O.D.	P.D.		7 Groove F = 5 1/2						8 Groove F = 6 1/4					
	A	B	Part No.	Bush	Type	K	L	WT.	Part No.	Bush	Type	K	L	WT.
5.75	5.00	5.40	7B54SK	SK	A-1	1 13/16	1 15/16	12.5	8B54SK	SK	A-1	1 13/16	1 15/16	15.5
5.95	5.20	5.60	7B56SK	SK	A-1	1 13/16	1 15/16	13.6	8B56SK	SK	A-1	1 13/16	1 15/16	16.6
6.15	5.40	5.80	7B58SK	SK	A-1	1 13/16	1 15/16	14.1	8B58SK	SK	A-1	1 13/16	1 15/16	17.1
6.35	5.60	6.00	7B60SK	SK	A-1	1 13/16	1 15/16	15.7	8B60SK	SK	A-1	1 13/16	1 15/16	18.7
6.55	5.80	6.20	7B62SF	SF	A-1	1 13/16	2 1/16	16.3	8B62SF	SF	A-1	1 13/16	2 1/16	19.3
6.75	6.00	6.40	7B64SF	SF	A-1	1 13/16	2 1/16	17.3	8B64SF	SF	A-1	1 13/16	2 1/16	20.3
6.95	6.20	6.60	7B66SF	SF	A-1	1 13/16	2 1/16	18.3	8B66SF	SF	A-1	1 13/16	2 1/16	21.3
7.15	6.40	6.80	7B68SF	SF	A-1	1 13/16	2 1/16	19.9	8B68SF	SF	A-1	1 13/16	2 1/16	22.9
7.35	6.60	7.00	7B70SF	SF	A-1	1 13/16	2 1/16	21.7	8B70SF	SF	A-1	1 13/16	2 1/16	24.7
7.75	7.00	7.40	7B74SF	SF	A-1	1 13/16	2 1/16	23.5	8B74SF	SF	A-1	1 13/16	2 1/16	26.5
8.95	8.20	8.60	7B86E	E	A-1	2 3/8	2 3/4	32.3	8B86E	E	A-1	2 3/8	2 3/4	35.3
9.75	9.00	9.40	7B94E	E	A-1	2 3/8	2 3/4	37.9	8B94E	E	A-1	2 3/8	2 3/4	41.9
11.35	10.60	11.00	7B110E	E	A-2	2 3/8	2 3/4	41.9	8B110E	E	A-2	2 3/8	2 3/4	44.9
12.75	12.00	12.40	7B124E	E	A-3	2 3/8	2 3/4	49.0	8B124E	E	A-3	2 3/8	2 3/4	52.0
13.95	13.20	13.60	7B136E	E	A-3	2 3/8	2 3/4	52.0	8B136E	E	A-3	2 3/8	2 3/4	55.0
15.75	15.00	15.40	7B154E	E	A-3	2 3/8	2 3/4	59.0	8B154E	E	A-3	2 3/8	2 3/4	61.0
16.35	15.60	16.00	7B160E	E	A-3	2 3/8	2 3/4	62.0	8B160E	E	A-3	2 3/8	2 3/4	64.0
18.75	18.00	18.40	7B184F	F	A-3	1 5/16	3 3/4	80.0	8B184F	F	A-3	1 5/16	3 3/4	82.0
20.35	19.60	20.00							8B200F	F	A-3	1 5/16	3 3/4	93.0
25.35	24.60	25.00							8B250F	F	A-3	1 5/16	3 3/4	116.0
30.35	29.60	30.00							8B300F	F	A-3	1 5/16	3 3/4	157.0
38.35	37.60	38.00							8B380F	F	A-3	1 5/16	3 3/4	216.0

Note: Cast iron sheaves may not exceed 6500 FPM.
 This speed **DOES NOT** specify if dynamic balancing
 (2 plane) is required. Contact customer service to
 verify whether dynamic balancing is required.

QD Bushing Sheaves

Cast Iron Sheaves
 Bushed, Ten Groove
 A-B QD Sheaves
 Order part number size
 Example: 10B54SK

For A, AX, B & BX V-Belts. Order QD bushings separately.



O.D.	P.D.		10 Groove F = 7 3/4					WT.
	A	B		Bush	Type	K	L	
5.75	5.00	5.40	10B54SK	SK	A-1	2 9/16	1 15/16	18.5
5.95	5.20	5.60	10B56SK	SK	A-1	2 9/16	1 15/16	19.8
6.15	5.40	5.80	10B58SK	SK	A-1	2 9/16	1 15/16	21.2
6.35	5.60	6.00	10B60SK	SK	A-1	2 9/16	1 15/16	22.3
6.55	5.80	6.20	10B62SF	SF	A-1	2 9/16	2 1/16	22.8
6.75	6.00	6.40	10B64SF	SF	A-1	2 9/16	2 1/16	24.2
6.95	6.20	6.60	10B66SF	SF	A-1	2 9/16	2 1/16	25.6
7.15	6.40	6.80	10B68SF	SF	A-1	2 9/16	2 1/16	26.8
7.35	6.60	7.00	10B70SF	SF	A-1	2 9/16	2 1/16	28.3
7.75	7.00	7.40	10B74SF	SF	A-1	2 9/16	2 1/16	31.4
8.95	8.20	8.60	10B86E	E	A-1	3 1/8	2 3/4	41.0
9.75	9.00	9.40	10B94E	E	A-2	3 1/8	2 3/4	47.8
11.35	10.60	11.00	10B110E	E	A-2	3 1/8	2 3/4	58.0
12.75	12.00	12.40	10B124E	E	A-3	3 1/8	2 3/4	65.0
13.95	13.20	13.60	10B136F	F	A-3	2 1/16	3 3/4	80.0
15.75	15.00	15.40	10B154F	F	A-3	2 1/16	3 3/4	87.0
16.35	15.60	16.00	10B160F	F	A-3	2 1/16	3 3/4	89.0
18.75	18.00	18.40	10B184F	F	A-3	2 1/16	3 3/4	102.0
20.35	19.60	20.00	10B200F	F	A-3	2 1/16	3 3/4	112.0
25.35	24.60	25.00	10B250F	F	A-3	2 1/16	3 3/4	148.0
30.35	29.60	30.00	10B300F	F	A-3	2 1/16	3 3/4	188.0
38.35	37.60	38.00	10B380J	J	A-3	1 9/16	4 5/8	291.0

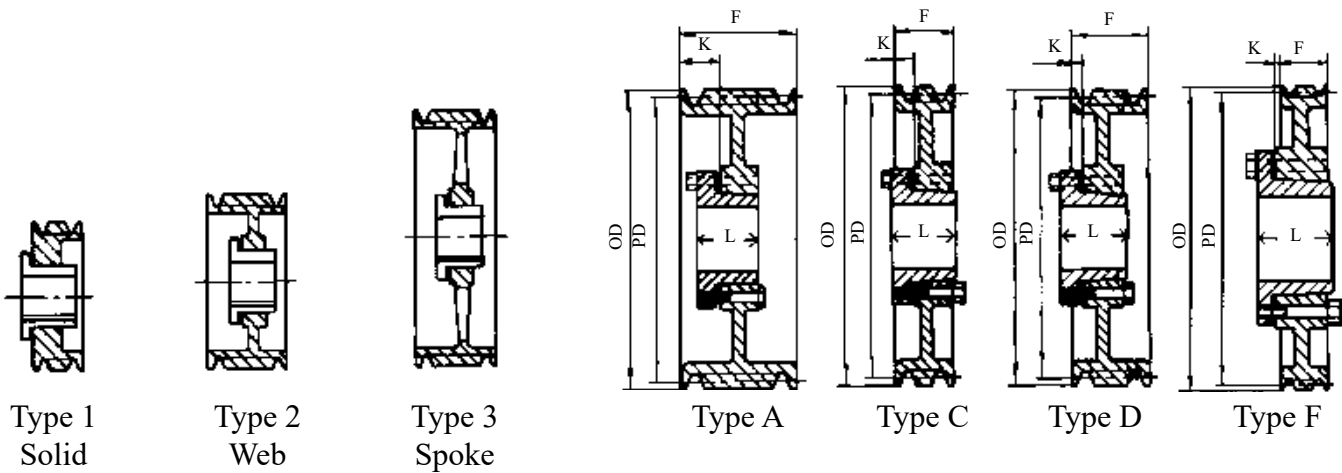
Note: Cast iron sheaves may not exceed 6500 FPM.
 This speed **DOES NOT** specify if dynamic balancing
 (2 plane) is required. Contact customer service to
 verify whether dynamic balancing is required.

QD Bushing Sheaves

Cast Iron Sheaves
 Bushed, **One and Two Groove**
 C QD Sheaves
 Order part number size
 Example: 1C60SK



For C & CX V-Belts. Order QD bushings separately.



Diameters		1 Groove F = 1 3/8						2 Groove F = 2 3/8					
O.D.	P.D.	Part No.	Bush	Type	K	L	WT.	Part No.	Bush	Type	K	L	WT.
6.40	6.00	1C60SK	SK	C-1	1/8	1 15/16	8.7	2C60SF	SF	A-1	7/8	2 1/16	11.4
7.40	7.00	1C70SF	SF	C-1	1/8	2 1/16	9.7	2C70SF	SF	A-1	13/16	2 1/16	12.4
7.90	7.50	1C75SF	SF	C-1	1/8	2 1/16	11.4	2C75SF	SF	A-1	13/16	2 1/16	14.4
8.40	8.00	1C80SF	SF	C-1	1/8	2 1/16	13.0	2C80SF	SF	A-1	13/16	2 1/16	16.3
8.90	8.50	1C85SF	SF	C-2	1/8	2 1/16	12.6	2C85SF	SF	A-2	13/16	2 1/16	16.6
9.40	9.00	1C90SF	SF	C-2	1/8	2 1/16	12.8	2C90SF	SF	A-2	13/16	2 1/16	17.3
9.90	9.50	1C95SF	SF	C-2	1/8	2 1/16	13.3	2C95SF	SF	A-2	13/16	2 1/16	18.1
10.40	10.00	1C100SF	SF	C-2	1/8	2 1/16	14.2	2C100SF	SF	A-2	13/16	2 1/16	19.4
10.90	10.50	1C105SF	SF	C-3	1/8	2 1/16	15.2	2C105SF	SF	A-3	13/16	2 1/16	20.6
11.40	11.00	1C110SF	SF	C-3	1/8	2 1/16	16.2	2C110SF	SF	A-3	13/16	2 1/16	22.0
12.40	12.00	1C120SF	SF	C-3	1/8	2 1/16	18.6	2C120SF	SF	D-3	9/16	2 1/16	24.2
13.40	13.00	1C130SF	SF	C-3	1/8	2 1/16	19.1	2C130SF	SF	D-3	9/16	2 1/16	27.8
14.40	14.00	1C140SF	SF	C-3	1/8	2 1/16	20.3	2C140SF	SF	D-3	9/16	2 1/16	30.1
15.40	15.00	1C150SF	SF	C-3	1/8	2 1/16	22.0	2C150SF	SF	D-3	9/16	2 1/16	32.0
16.40	16.00	1C160SF	SF	C-3	1/8	2 1/16	23.5	2C160SF	SF	D-3	9/16	2 1/16	34.9
18.40	18.00	1C180SF	SF	C-3	1/8	2 1/16	27.8	2C180SF	SF	D-3	9/16	2 1/16	40.9
20.40	20.00	1C200SF	SF	C-3	1/8	2 1/16	31.8	2C200SF	SF	D-3	9/16	2 1/16	42.1
24.40	24.00	1C240SF	SF	C-3	1/8	2 1/16	41.2	2C240SF	SF	D-3	9/16	2 1/16	56.7
27.40	27.00							2C270F	F	F-3	1/8	3 3/4	79.4
30.40	30.00							2C300F	F	F-3	1/8	3 3/4	82.4

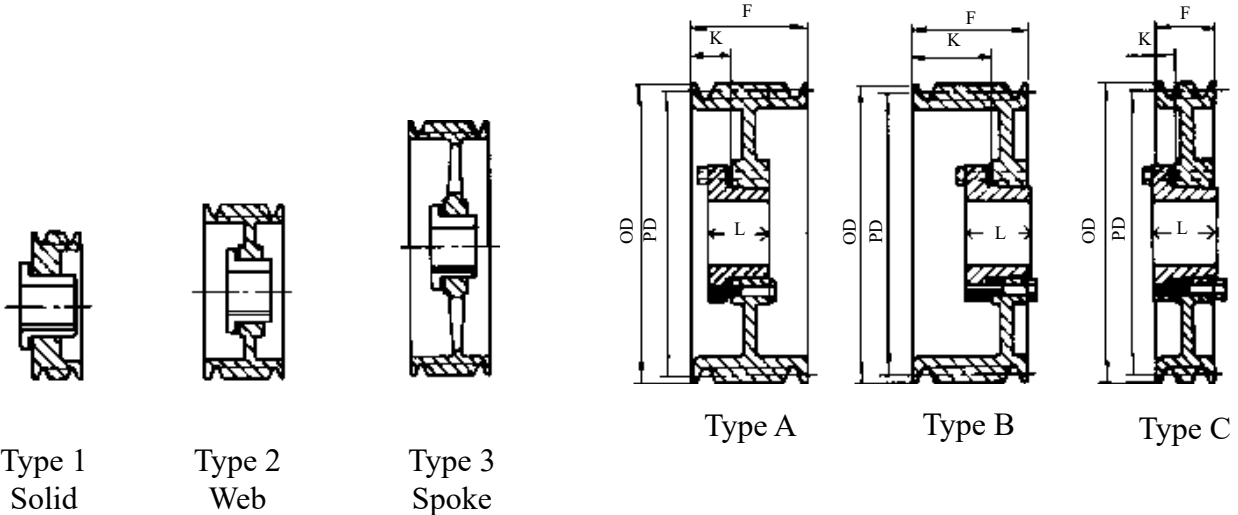
Note: Cast iron sheaves may not exceed 6500 FPM.
 This speed **DOES NOT** specify if dynamic balancing
 (2 plane) is required. Contact customer service to
 verify whether dynamic balancing is required.

QD Bushing Sheaves

Cast Iron Sheaves - **Heavy Duty**
 Bushed, **Three and Four Groove**
 C QD Sheaves
 Order part number size
 Example: 3C50SD



For C & CX V-Belts. Order QD bushings separately.



Outside Diameter In Inches	3 Groove F = 3 3/8						4 Groove F = 4 3/8					
	Part No.	Bushing#	Type	K	L	WT.	Part No.	Bushing#	Type	K	L	WT.
5.40	3C50SD	SD	A-1	1 1/4	1 13/16	8.4	4C50SD	SD	A-1	1 1/4	1 13/16	10.2
5.40	*3C50SK	SK	A-1	1 1/4	1 13/16	8.4	*4C50SK	SK	A-1	1 1/4	1 13/16	10.2
5.80	3C54SD	SD	A-1	1 5/16	1 13/16	10.4	4C54SD	SD	A-1	1 5/16	1 13/16	11.8
5.90	3C55SD	SD	A-1	1 5/16	1 13/16	10.9	4C55SD	SD	A-1	1 5/16	1 13/16	13.5
6.00	3C56SD	SD	A-1	1 5/16	1 13/16	11.2	4C56SD	SD	A-1	1 5/16	1 13/16	13.9
6.40	3C60SF	SF	A-1	7/8	2 1/16	10.1	4C60SF	SF	A-1	7/8	2 1/16	12.0
6.90	3C65SF	SF	A-1	0	2 1/16	10.8	4C65SF	SF	A-1	13/16	2 1/16	12.2
7.40	3C70SF	SF	A-1	1 5/16	2 1/16	15.9	4C70SF	SF	A-1	1 9/16	2 1/16	18.0
7.90	3C75SF	SF	A-1	1 5/16	2 1/16	18.0	4C75SF	SF	A-1	1 9/16	2 1/16	20.5
8.40	3C80E	E	B-1	1 3/4	2 3/4	20.9	4C80E	E	A-1	2	2 3/4	24.0
8.90	3C85E	E	B-1	1 3/4	2 3/4	24.5	4C85E	E	A-1	2	2 3/4	27.3
9.40	3C90E	E	B-1	1 3/4	2 3/4	27.1	4C90E	E	A-1	2	2 3/4	30.7
9.90	3C95E	E	B-1	1 3/4	2 3/4	29.1	4C95E	E	A-1	2	2 3/4	34.9
10.40	3C100E	E	B-2	1 3/4	2 3/4	30.1	4C100E	E	A-2	2	2 3/4	38.1
10.90	3C105E	E	B-2	1 3/4	2 3/4	30.8	4C105E	E	A-2	2	2 3/4	35.8
11.40	3C110E	E	B-3	1 3/4	2 3/4	32.9	4C110E	E	A-3	2	2 3/4	38.4
12.40	3C120E	E	B-3	1 3/4	2 3/4	38.4	4C120E	E	A-3	2	2 3/4	43.6
13.40	3C130E	E	B-3	1 3/4	2 3/4	42.4	4C130E	E	A-3	2	2 3/4	49.4
14.40	3C140E	E	B-3	1 3/4	2 3/4	41.7	4C140E	E	A-3	2	2 3/4	50.7
15.40	3C150E	E	B-3	1 3/4	2 3/4	45.0	4C150E	E	A-3	2	2 3/4	52.0
16.40	3C160E	E	B-3	1 3/4	2 3/4	49.8	4C160E	E	A-3	2	2 3/4	60.2
18.40	3C180E	E	B-3	1 3/4	2 3/4	58.6	4C180E	E	A-3	2	2 3/4	68.6
20.40	3C200E	E	A-3	1	2 3/4	62.6	4C200E	E	A-3	1 1/2	2 3/4	76.9
24.40	3C240E	E	A-3	1	2 3/4	78.7	4C240F	F	A-3	1 5/16	3 3/4	100.4
27.40	3C270F	F	C-3	7/8	3 3/4	103.0	4C270F	F	A-3	1 5/16	3 3/4	116.8
30.40	3C300F	F	C-3	7/8	3 3/4	115.4	4C300F	F	A-3	1 5/16	3 3/4	136.1
36.40	3C360F	F	C-3	7/8	3 3/4	161.7	4C360F	F	A-3	1 5/16	3 3/4	194.2
44.40	3C440F	F	C-3	13/16	3 3/4	242.8	4C440J	J	A-3	1 9/16	4 5/8	270.4
50.40	3C500F	F	C-3	13/16	3 3/4	275.0	4C500J	J	A-3	1 9/16	4 5/8	337.4

Note: Cast iron sheaves may not exceed 6500 FPM.
 This speed **DOES NOT** specify if dynamic balancing
 (2 plane) is required. Contact customer service to verify
 whether dynamic balancing is required.

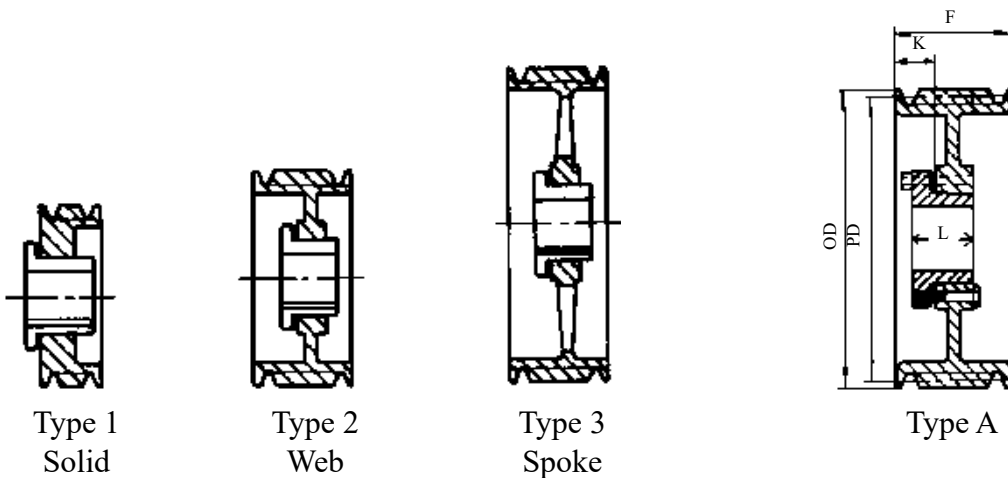
* = Small O.D. sheaves used heavily in the oil industry.

QD Bushing Sheaves

Cast Iron Sheaves - **Heavy Duty**
 Bushed, **Five and Six Groove**
 C QD Sheaves

Order part number size
 Example: 5C60SF

For C & CX V-Belts. Order QD bushings separately.



Diameters		5 Groove F = 5 3/8						6 Groove F = 6 3/8					
O.D.	P.D.	Part No.	Bush	Type	K	L	WT.	Part No.	Bush	Type	K	L	WT.
5.40	5.00	*5C50SK	SK	A-1	7/8	1 15/16	10.0	*6C50SK	SK	A-1	7/8	1 15/16	11.0
6.40	6.00	5C60SF	SF	A-1	7/8	2 1/16	12.5	6C60SF	SF	A-1	7/8	2 1/16	14.0
7.40	7.00	5C70SF	SF	A-1	1 15/16	2 1/16	20.8	6C70SF	SF	A-1	1 15/16	2 1/16	23.6
7.90	7.50	5C75SF	SF	A-1	1 15/16	2 1/16	23.6	6C75SF	SF	A-1	1 15/16	2 1/16	26.6
8.40	8.00	5C80E	E	A-1	2 3/8	2 3/4	27.3	6C80E	E	A-1	2 3/8	2 3/4	30.6
8.90	8.50	5C85E	E	A-1	2 3/8	2 3/4	30.8	6C85E	E	A-1	2 3/8	2 3/4	34.4
9.40	9.00	5C90E	E	A-1	2 3/8	2 3/4	34.5	6C90F	F	A-1	1 7/16	3 3/4	43.0
9.90	9.50	5C95E	E	A-1	2 3/8	2 3/4	39.1	6C95F	F	A-1	1 7/16	3 3/4	49.1
10.40	10.00	5C100E	E	A-2	2 3/8	2 3/4	42.4	6C100F	F	A-1	1 7/16	3 3/4	54.0
10.90	10.50	5C105E	E	A-2	2 3/8	2 3/4	40.4	6C105F	F	A-1	1 7/16	3 3/4	60.0
11.40	11.00	5C110E	E	A-3	2 3/8	2 3/4	43.1	6C110F	F	A-2	1 7/16	3 3/4	66.2
12.40	12.00	5C120E	E	A-3	2 3/8	2 3/4	48.8	6C120F	F	A-2	1 7/16	3 3/4	62.5
13.40	13.00	5C130E	E	A-3	2 3/8	2 3/4	55.1	6C130F	F	A-3	1 7/16	3 3/4	70.0
14.40	14.00	5C140E	E	A-3	2 3/8	2 3/4	57.2	6C140F	F	A-3	1 7/16	3 3/4	73.0
15.40	15.00	5C150E	E	A-3	2 3/8	2 3/4	68.2	6C150F	F	A-3	1 7/16	3 3/4	75.0
16.40	16.00	5C160E	E	A-3	2 3/8	2 3/4	71.2	6C160F	F	A-3	1 7/16	3 3/4	87.7
18.40	18.00	5C180E	E	A-3	2 3/8	2 3/4	79.1	6C180F	F	A-3	1 7/16	3 3/4	98.3
20.40	20.00	5C200F	F	A-3	1 5/16	3 3/4	96.5	6C200F	F	A-3	1 15/16	3 3/4	109.8
24.40	24.00	5C240F	F	A-3	1 5/16	3 3/4	106.7	6C240F	F	A-3	1 15/16	3 3/4	122.1
27.40	27.00	5C270F	F	A-3	1 5/16	3 3/4	129.2	6C270J	J	A-3	1 9/16	4 5/8	158.8
30.40	30.00	5C300F	F	A-3	1 5/16	3 3/4	160.8	6C300J	J	A-3	1 9/16	4 5/8	192.8
36.40	36.00	5C360J	J	A-3	1 9/16	4 5/8	220.3	6C360J	J	A-3	1 9/16	4 5/8	254.5
44.40	44.00	5C440J	J	A-3	1 9/16	4 5/8	293.2	6C440J	J	A-3	1 9/16	4 5/8	315.0
50.40	50.00	5C500J	J	A-3	1 9/16	4 5/8	275.0	6C500M	M	A-3	1 15/16	6 3/4	325.0

Note: Cast iron sheaves may not exceed 6500 FPM. This speed **DOES NOT** specify if dynamic balancing (2 plane) is required. Contact customer service to verify whether dynamic balancing is required.

* = Small O.D. sheaves used heavily in the oil industry.

QD Bushing Sheaves

Cast Iron Sheaves - **Heavy Duty**
 Bushed, **Seven and Eight Groove**
 C QD Sheaves
 Order part number size
 Example: 7C70SF

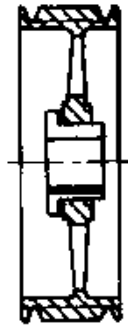
For C & CX V-Belts. Order QD bushings separately.



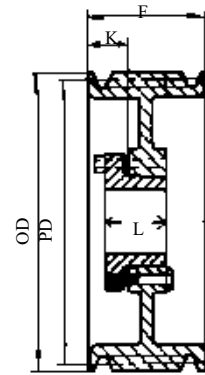
Type 1
Solid



Type 2
Web



Type 3
Spoke



Type A

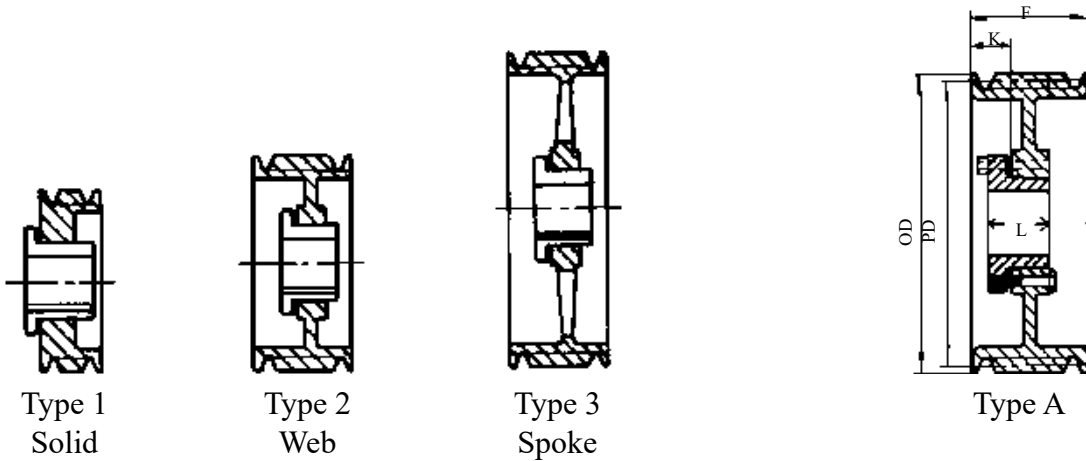
Diameters		7 Groove F = 7 3/8						8 Groove F = 8 3/8					
O.D.	P.D.	Part No.	Bush	Type	K	L	WT.	Part No.	Bush	Type	K	L	WT.
7.40	7.00	7C70SF	SF	A-1	3 1/8	2 1/16	26.2	8C70SF	SF	A-1	3 1/8	2 1/16	29.2
8.40	8.00	7C80E	E	A-1	3 1/4	2 3/4	34.3	8C80E	E	A-1	3 1/4	2 3/4	37.3
8.90	8.50	7C85E	E	A-1	3 1/4	2 3/4	38.5	8C85E	E	A-1	3 1/4	2 3/4	41.5
9.40	9.00	7C90F	F	A-1	3 5/16	3 3/4	47.5	8C90F	F	A-1	3 5/16	3 3/4	50.5
9.90	9.50	7C95F	F	A-1	3 5/16	3 3/4	54.6	8C95F	F	A-1	3 5/16	3 3/4	57.6
10.40	10.00	7C100F	F	A-1	3 5/16	3 3/4	59.6	8C100F	F	A-1	3 5/16	3 3/4	62.6
10.90	10.50	7C105F	F	A-1	3 5/16	3 3/4	66.0	8C105F	F	A-1	3 5/16	3 3/4	69.0
11.40	11.00	7C110F	F	A-1	3 5/16	3 3/4	72.6	8C110F	F	A-1	3 5/16	3 3/4	75.6
12.40	12.00	7C120F	F	A-2	3 5/16	3 3/4	69.9	8C120F	F	A-2	3 5/16	3 3/4	72.9
13.40	13.00	7C130F	F	A-2	3 5/16	3 3/4	78.3	8C130F	F	A-2	3 5/16	3 3/4	81.3
14.40	14.00	7C140F	F	A-2	3 5/16	3 3/4	85.0	8C140F	F	A-2	3 5/16	3 3/4	88.0
15.40	15.00	7C150F	F	A-2	3 5/16	3 3/4	103.0	8C150F	F	A-2	3 5/16	3 3/4	105.0
16.40	16.00	7C160F	F	A-3	3 5/16	3 3/4	107.0	8C160F	F	A-3	3 5/16	3 3/4	108.6
18.40	18.00	7C180F	F	A-3	3 5/16	3 3/4	121.0	8C180F	F	A-3	3 5/16	3 3/4	123.3
20.40	20.00							8C200J	J	A-3	1 9/16	4 5/8	146.5
24.40	24.00							8C240J	J	A-3	1 9/16	4 5/8	173.4
27.40	27.00							8C270J	J	A-3	1 9/16	4 5/8	226.3
30.40	30.00							8C300J	J	A-3	1 9/16	4 5/8	240.0
36.40	36.00							8C360M	M	A-3	1 15/16	6 3/4	355.3
44.40	44.00							8C440M	M	C-3	1 15/16	6 3/4	452.0
50.40	50.00							8C500M	M	C-3	1 15/16	6 3/4	546.1

Note: Cast iron sheaves may not exceed 6500 FPM.
 This speed **DOES NOT** specify if dynamic balancing
 (2 plane) is required. Contact customer service to
 verify whether dynamic balancing is required.

QD Bushing Sheaves

Cast Iron Sheaves - **Heavy Duty**
 Bushed, **Ten Groove**
 C QD Sheaves
 Order part number size
 Example: 10C80E

For C & CX V-Belts. Order QD bushings separately.



Diameters		10 Groove F = 10 3/8					
O.D.	P.D.	Part No.	Bush	Type	K	L	WT.
8.40	8.00	10C80E	E	A-1	3 1/4	2 3/4	43.9
8.90	8.50	10C85E	E	A-1	3 1/4	2 3/4	48.6
9.40	9.00	+10C90J	J	A-1	3 9/16	4 5/8	59.6
9.90	9.50	+10C95J	J	A-1	3 9/16	4 5/8	67.8
10.40	10.00	10C100J	J	A-1	3 9/16	4 5/8	74.1
10.90	10.50	10C105J	J	A-1	3 9/16	4 5/8	82.2
11.40	11.00	10C110J	J	A-1	3 9/16	4 5/8	90.6
12.40	12.00	10C120J	J	A-1	3 9/16	4 5/8	108.4
13.40	13.00	10C130J	J	A-2	3 9/16	4 5/8	136.0
14.40	14.00	10C140J	J	A-2	3 9/16	4 5/8	110.8
16.40	16.00	10C160J	J	A-3	3 9/16	4 5/8	141.3
18.40	18.00	10C180J	J	A-3	3 9/16	4 5/8	148.7
20.40	20.00	10C200J	J	A-3	3 9/16	4 5/8	169.7
24.40	24.00	10C240M	M	A-3	3 9/16	6 3/4	263.1
30.40	30.00	10C300M	M	A-3	1 15/16	6 3/4	332.1
36.40	36.00	10C360M	M	A-3	1 15/16	6 3/4	397.5
44.40	44.00	10C440M	M	A-3	1 15/16	6 3/4	531.8
50.40	50.00	10C500M	M	A-3	1 15/16	6 3/4	600.0

+ = Includes cap screws to be used in place of the ones that come with the bushing.

Note: Cast iron sheaves may not exceed 6500 FPM. This speed **DOES NOT** specify if dynamic balancing (2 plane) is required. Contact customer service to verify whether dynamic balancing is required.

QD Bushing Sheaves

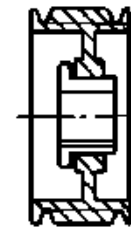
Cast Iron Sheaves - **Heavy Duty**
Bushed, **One and Two Groove**
3V QD Sheaves

Order part number size
Example: 1/3V220JA

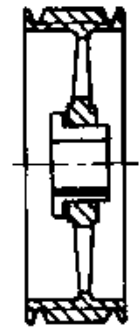
For 3V & 3VX Belts. Order QD bushings separately.



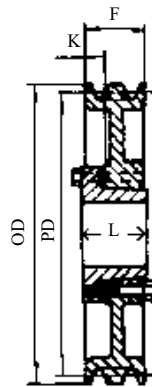
Type 1
Solid



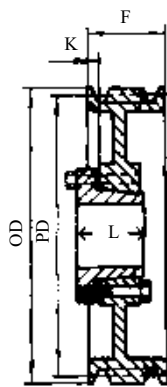
Type 2
Web



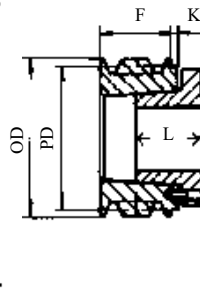
Type 3
Spoke



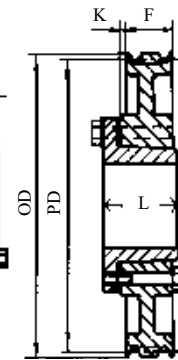
Type C



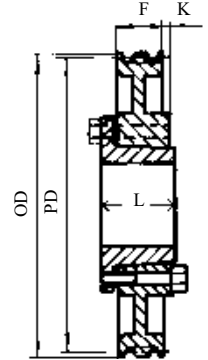
Type D



Type E



Type F



Type G

Diameters		1 Groove F = 11/16						2 Groove F = 1 3/32					
O.D.	P.D.	Part No.	Bush	Type	K	L	WT.	Part No.	Bush	Type	K	L	WT.
2.20	2.15	1/3V220JA	JA	E-1	7/16	1	.7	2/3V220JA	JA	E-1	7/16	1	.9
2.35	2.30	1/3V235JA	JA	E-1	7/16	1	.7	2/3V235JA	JA	E-1	7/16	1	.9
2.50	2.45	1/3V250JA	JA	E-1	7/16	1	.8	2/3V250JA	JA	E-1	7/16	1	1.0
2.65	2.60	1/3V265JA	JA	C-1	1/8	1	.6	2/3V265JA	JA	D-1	1/8	1	.8
2.80	2.75	1/3V280JA	JA	C-1	1/8	1	.6	2/3V280JA	JA	D-1	1/8	1	1.0
3.00	2.95	1/3V300JA	JA	C-1	1/8	1	.8	2/3V300JA	JA	D-1	1/8	1	1.1
3.15	3.10	1/3V315JA	JA	C-1	1/8	1	.9	2/3V315JA	JA	D-1	1/8	1	1.2
3.35	3.30	1/3V335JA	JA	C-1	1/8	1	1.1	2/3V335SH	SH	D-1	9/64	1 5/16	1.2
3.65	3.60	1/3V365SH	SH	G-1	1/8	1 5/16	1.3	2/3V365SH	SH	D-1	9/64	1 5/16	1.7
4.12	4.07	1/3V412SH	SH	G-1	1/8	1 5/16	1.8	2/3V412SH	SH	D-1	9/32	1 5/16	2.3
4.50	4.45	1/3V450SH	SH	G-1	1/8	1 5/16	2.2	2/3V450SH	SH	D-1	9/32	1 5/16	2.8
4.75	4.70	1/3V475SH	SH	G-1	1/8	1 5/16	2.1	2/3V475SH	SH	D-1	9/32	1 5/16	2.6
5.00	4.95	1/3V500SH	SH	G-1	1/8	1 5/16	2.3	2/3V500SH	SH	D-1	9/32	1 5/16	2.9
5.30	5.25	1/3V530SH	SH	G-2	1/8	1 5/16	3.0	2/3V530SH	SH	D-1	9/32	1 5/16	3.1
5.60	5.55	1/3V560SH	SH	G-2	1/8	1 5/16	2.8	2/3V560SH	SH	D-2	9/32	1 5/16	3.4
6.00	5.95	1/3V600SH	SH	G-2	1/8	1 5/16	3.7	2/3V600SH	SH	D-2	9/32	1 5/16	3.8
6.50	6.45	1/3V650SH	SH	G-2	1/8	1 5/16	3.4	2/3V650SDS	SDS	D-2	5/16	1 5/16	4.5
6.90	6.85	1/3V690SH	SH	G-3	1/8	1 5/16	4.1	2/3V690SDS	SDS	D-2	5/16	1 5/16	4.7
8.00	7.95	1/3V800SDS	SDS	G-3	0	1 5/16	4.8	2/3V800SDS	SDS	D-3	5/16	1 5/16	4.8
10.60	10.55	1/3V1060SDS	SDS	G-3	0	1 5/16	7.4	2/3V1060SK	SK	F-3	5/32	1 15/16	9.6
14.00	13.95	1/3V1400SK	SK	G-3	7/16	1 15/16	12.1	2/3V1400SK	SK	F-3	5/32	1 15/16	12.6
19.00	18.95	1/3V1900SK	SK	G-3	7/16	1 15/16	18.0	2/3V1900SK	SK	F-3	5/32	1 15/16	20.6
25.00	24.95							2/3V2500SF	SF	E-3	1/4	2 1/16	31.5

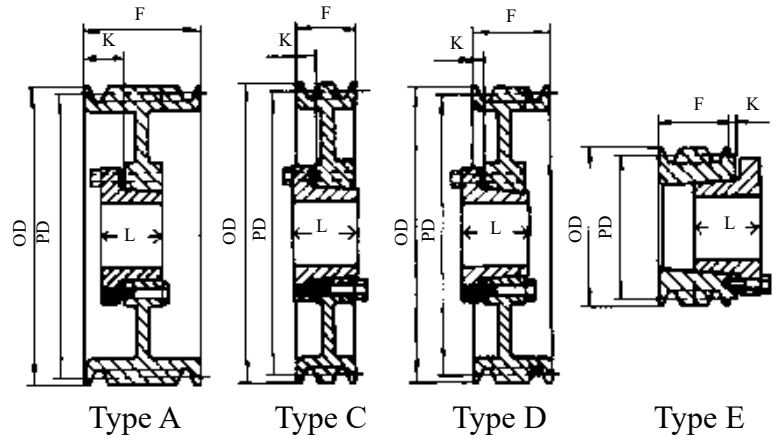
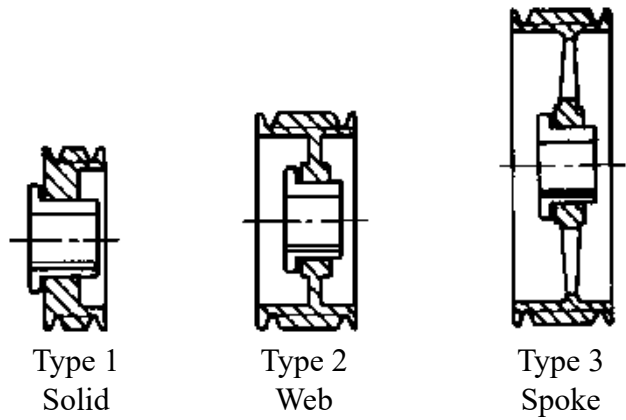
Note: Cast iron sheaves may not exceed 6500 FPM.
This speed **DOES NOT** specify if dynamic balancing
(2 plane) is required. Contact customer service to
verify whether dynamic balancing is required.

QD Bushing Sheaves

Cast Iron Sheaves - **Heavy Duty**
Bushed, **Three and Four Groove**
3V QD Sheaves

Order part number size
Example: 3/3V250JA

For 3V & 3VX Belts. Order QD bushings separately.



Diameters		3 Groove F = 1 1/2						4 Groove F = 1 29/32					
O.D.	P.D.	Part No.	Bush	Type	K	L	WT.	Part No.	Bush	Type	K	L	WT.
2.50	2.45	3/3V250JA	JA	E-1	7/16	1	1.2						
2.65	2.60	3/3V265JA	JA	D-1	1/8	1	1.1	4/3V265JA	JA	D-1	0	1	1.4
2.80	2.75	3/3V280JA	JA	D-1	1/8	1	1.3	4/3V280JA	JA	D-1	0	1	1.7
3.00	2.95	+3/3V300SH	SH	E-1	5/16	1 5/16	1.7	+4/3V300SH	SH	E-1	0	1 5/16	2.0
3.15	3.10	+3/3V315SH	SH	E-1	5/16	1 5/16	1.8	+4/3V315SH	SH	E-1	0	1 5/16	2.0
3.35	3.30	3/3V335SH	SH	D-1	1/8	1 5/16	1.6	4/3V335SH	SH	D-1	1/8	1 5/16	1.9
3.65	3.60	3/3V365SH	SH	D-1	1/8	1 5/16	2.0	4/3V365SH	SH	D-1	1/8	1 5/16	2.3
4.12	4.07	3/3V412SH	SH	A-1	11/16	1 5/16	2.7	4/3V412SH	SH	A-1	13/16	1 5/16	3.1
4.50	4.45	3/3V450SDS	SDS	A-1	11/16	1 5/16	3.1	4/3V450SDS	SDS	A-1	13/16	1 5/16	3.5
4.75	4.70	3/3V475SDS	SDS	A-1	11/16	1 5/16	3.6	4/3V475SDS	SDS	A-1	13/16	1 5/16	3.7
5.00	4.95	3/3V500SDS	SDS	A-1	11/16	1 5/16	4.0	4/3V500SDS	SDS	A-1	13/16	1 5/16	4.3
5.30	5.25	3/3V530SDS	SDS	A-1	11/16	1 5/16	3.9	4/3V530SDS	SDS	A-1	13/16	1 5/16	5.0
5.60	5.55	3/3V560SDS	SDS	A-1	11/16	1 5/16	4.4	4/3V560SDS	SDS	A-1	13/16	1 5/16	5.5
6.00	5.95	3/3V600SDS	SDS	A-2	11/16	1 5/16	4.9	4/3V600SK	SK	D-1	5/8	1 15/16	7.0
6.50	6.45	3/3V650SDS	SDS	A-2	11/16	1 5/16	5.8	4/3V650SK	SK	D-2	5/8	1 15/16	7.3
6.90	6.85	3/3V690SDS	SDS	A-2	11/16	1 5/16	5.9	4/3V690SK	SK	D-2	5/8	1 15/16	8.2
8.00	7.95	3/3V800SK	SK	C-3	1/4	1 15/16	8.2	4/3V800SK	SK	D-3	5/8	1 15/16	9.4
10.60	10.55	3/3V1060SK	SK	C-3	1/4	1 15/16	12.0	4/3V1060SK	SK	D-3	5/8	1 15/16	13.4
14.00	13.95	3/3V1400SK	SK	C-3	1/4	1 15/16	14.8	4/3V1400SK	SK	D-3	5/8	1 15/16	18.3
19.00	18.95	3/3V1900SF	SF	C-3	1/4	2 1/16	26.0	4/3V1900SF	SF	C-3	21/32	2 1/16	29.7
25.00	24.95	3/3V2500SF	SF	C-3	1/4	2 1/16	42.0	4/3V2500SF	SF	C-3	21/32	2 1/16	44.0
33.50	33.45	3/3V3350SF	SF	C-3	1/4	2 1/16	70.8	4/3V3350E	E	C-3	9/32	2 3/4	78.0

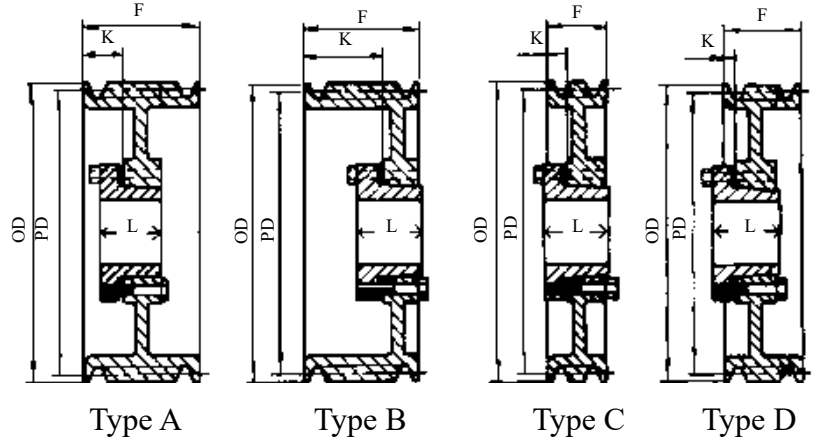
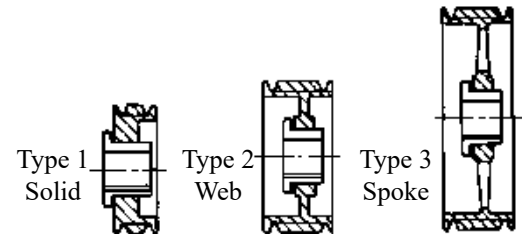
+ = Includes cap screws to be used in place of the ones that come with the bushing.

Note: Cast iron sheaves may not exceed 6500 FPM. This speed **DOES NOT** specify if dynamic balancing (2 plane) is required. Contact customer service to verify whether dynamic balancing is required.

QD Bushing Sheaves

Cast Iron Sheaves - Heavy Duty
 Bushed, Five, Six, Seven and Eight Groove
 Order part number size
 Example: 5/3V475SDS

For 3V & 3VX Belts. Order QD bushings separately.



Diameters		5 Groove F = 2 5/16						6 Groove F = 2 23/32					
O.D.	P.D.	Part No.	Bush	Type	K	L	WT.	Part No.	Bush	Type	K	L	WT.
4.75	4.70	5/3V475SDS	SDS	A-1	13/16	1 15/16	4.3	6/3V475SK	SK	D-1	0	1 15/16	5.0
5.00	4.95	5/3V500SDS	SDS	A-1	13/16	1 15/16	4.8	6/3V500SK	SK	D-1	0	1 15/16	5.7
5.30	5.25	5/3V530SK	SK	A-1	15/16	1 15/16	5.9	6/3V530SK	SK	A-1	1 5/16	1 15/16	6.7
5.60	5.55	5/3V560SK	SK	A-1	15/16	1 15/16	6.8	6/3V560SK	SK	A-1	1 5/16	1 15/16	7.5
6.00	5.95	5/3V600SK	SK	A-1	15/16	1 15/16	8.0	6/3V600SK	SK	A-1	1 5/16	1 15/16	8.8
6.50	6.45	5/3V650SK	SK	A-1	15/16	1 15/16	8.1	6/3V650SK	SK	A-1	1 5/16	1 15/16	9.3
6.90	6.85	5/3V690SK	SK	A-2	15/16	1 15/16	9.2	6/3V690SK	SK	A-2	1 5/16	1 15/16	10.0
8.00	7.95	5/3V800SK	SK	A-2	15/16	1 15/16	10.8	6/3V800SK	SK	A-2	1 5/16	1 15/16	11.7
10.60	10.55	5/3V1060SK	SK	A-3	15/16	1 15/16	15.3	6/3V1060SF	SF	A-2	7/8	2 1/16	19.1
14.00	13.95	5/3V1400SF	SF	A-3	7/8	2 1/16	23.4	6/3V1400SF	SF	A-3	7/8	2 1/16	24.2
19.00	18.95	5/3V1900SF	SF	A-3	7/8	2 1/16	37.6	6/3V1900E	E	B-3	1 3/32	2 3/4	39.5
25.00	24.95	5/3V2500E	E	C-3	11/16	2 3/4	53.0	6/3V2500E	E	B-3	1 3/32	2 3/4	65.7
33.50	33.45	5/3V3350E	E	C-3	11/16	2 3/4	87.0	6/3V3350E	E	B-3	1 3/32	2 3/4	80.0
Diameters		7 Groove F = 3 1/8						8 Groove F = 3 17/32					
O.D.	P.D.	Part No.	Bush	Type	K	L	WT.	Part No.	Bush	Type	K	L	WT.
4.75	4.70	7/3V475SK	SK	D-1	1/8	1 15/16	3.8	8/3V475SK	SK	D-1	1/8	1 15/16	5.8
5.00	4.95	7/3V500SK	SK	D-1	1/8	1 15/16	4.8	8/3V500SK	SK	D-1	1/8	1 15/16	6.8
5.30	5.25	7/3V530SK	SK	A-1	1 5/16	1 15/16	5.6	8/3V530SK	SK	A-1	1 5/16	1 15/16	7.6
5.60	5.55	7/3V560SK	SK	A-1	1 5/16	1 15/16	6.7	8/3V560SK	SK	A-1	1 5/16	1 15/16	8.7
6.00	5.95	7/3V600SK	SK	A-1	1 5/16	1 15/16	8.3	8/3V600SK	SK	A-1	1 5/16	1 15/16	10.3
6.50	6.45	7/3V650SK	SK	A-1	1 5/16	1 15/16	8.7	8/3V650SK	SK	A-1	1 5/16	1 15/16	10.7
6.90	6.85	7/3V690SK	SK	A-2	1 5/16	1 15/16	9.8	8/3V690SK	SK	A-2	1 5/16	1 15/16	11.8
8.00	7.95	7/3V800SF	SF	A-2	1 1/8	2 1/16	13.5	8/3V800SF	SF	A-2	1 1/8	2 1/16	15.5
10.60	10.55	7/3V1060SF	SF	A-3	1 1/8	2 1/16	18.9	8/3V1060SF	SF	A-3	1 1/8	2 1/16	21.9
14.00	13.95	7/3V1400E	E	A-3	1 1/4	2 3/4	31.4	8/3V1400E	E	A-3	1 1/4	2 3/4	33.4
19.00	18.95	7/3V1900E	E	A-3	1 1/4	2 3/4	45.2	8/3V1900E	E	A-3	1 1/4	2 3/4	47.2
25.00	24.95							8/3V2500E	E	A-3	1 1/4	2 3/4	67.8
33.50	33.45							8/3V3350F	F	B-3	1 1/32	3 3/4	112.0

Note: Cast iron sheaves may not exceed 6500 FPM.
 This speed **DOES NOT** specify if dynamic balancing
 (2 plane) is required. Contact customer service to
 verify whether dynamic balancing is required.

QD Bushing Sheaves

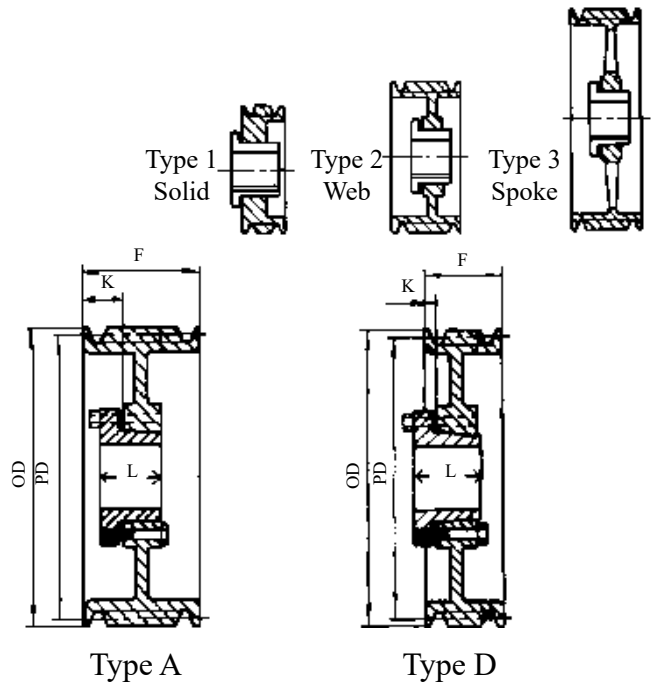
Cast Iron Sheaves - **Heavy Duty**

Bushed, **Ten Groove**

Order part number size

Example: 10/3V475SK

For 3V & 3VX Belts. Order QD bushings separately.

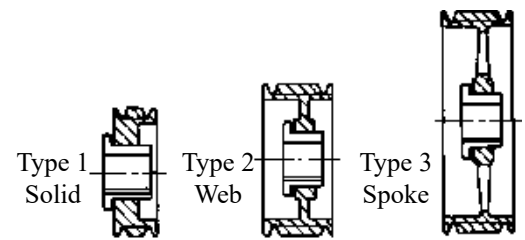


Diameters		10 Groove F = 4 11/32					
O.D.	P.D.	Part No.	Bush	Type	K	L	WT.
4.75	4.70	10/3V475SK	SK	D-1	1/8	1 15/16	6.9
5.00	4.95	10/3V500SK	SK	D-1	1/8	1 15/16	8.1
5.30	5.25	10/3V530SK	SK	A-1	1 7/16	1 15/16	8.8
5.60	5.55	10/3V560SK	SK	A-1	1 7/16	1 15/16	10.1
6.00	5.95	10/3V600SK	SK	A-1	1 7/16	1 15/16	13.8
6.50	6.45	10/3V650SK	SK	A-1	1 7/16	1 15/16	13.7
6.90	6.85	10/3V690SK	SK	A-2	1 7/16	1 15/16	14.1
8.00	7.95	10/3V800SF	SF	A-2	1 1/2	2 1/16	18.1
10.60	10.55	10/3V1060E	E	A-3	1 1/4	2 3/4	29.2
14.00	13.95	10/3V1400E	E	A-3	1 1/4	2 3/4	37.0
19.00	18.95	10/3V1900E	E	A-3	1 1/4	2 3/4	54.0
25.00	24.95	10/3V2500F	F	A-3	1 5/16	3 3/4	90.0
33.50	33.45	10/3V3350F	F	A-3	1 5/16	3 3/4	178.0

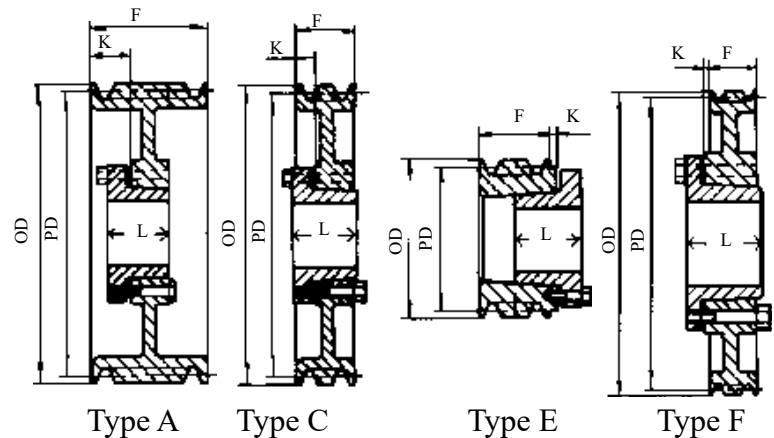
Note: Cast iron sheaves may not exceed 6500 FPM. This speed **DOES NOT** specify if dynamic balancing (2 plane) is required. Contact customer service to verify whether dynamic balancing is required.

QD Bushing Sheaves

Cast Iron Sheaves - Heavy Duty
 Bushed, Two and Three Groove
 5V QD Sheaves
 Order part number size
 Example: 2/5V440SH



For 5V & 5VX Belts
 Order QD bushings separately.



Diameters		2 Groove F = 1 11/16						3 Groove F = 2 3/8					
O.D.	P.D.	Part No.	Bush	Type	K	L	WT.	Part No.	Bush	Type	K	L	WT.
4.40	4.30	2/5V440SH	SH	A-1	11/16	1 5/16	3.3	3/5V440SDS	SDS	E-1	0	1 5/16	4.2
4.65	4.55	2/5V465SDS	SDS	E-1	3/16	1 5/16	3.7	3/5V465SDS	SDS	E-1	0	1 5/16	4.7
4.90	4.80	2/5V490SDS	SDS	A-1	11/16	1 5/16	3.9	3/5V490SDS	SDS	A-1	1 1/16	1 5/16	4.8
5.20	5.10	2/5V520SDS	SDS	A-1	11/16	1 5/16	4.6	3/5V520SDS	SDS	A-1	1 1/16	1 5/16	5.9
5.50	5.40	2/5V550SDS	SDS	A-1	11/16	1 5/16	5.1	3/5V550SDS	SDS	A-1	1 1/16	1 5/16	6.6
5.90	5.80	2/5V590SDS	SDS	A-1	11/16	1 5/16	5.6	3/5V590SDS	SDS	A-1	1 1/16	1 5/16	7.5
6.30	6.20	2/5V630SK	SK	C-1	7/16	1 15/16	7.4	3/5V630SK	SK	A-1	1 1/16	1 15/16	9.3
6.70	6.60	2/5V670SK	SK	C-1	7/16	1 15/16	7.5	3/5V670SK	SK	A-1	1 1/8	1 15/16	10.8
7.10	7.00	2/5V710SK	SK	C-1	7/16	1 15/16	7.9	3/5V710SF	SF	A-1	1 1/8	2 1/16	11.4
7.50	7.40	2/5V750SK	SK	C-1	7/16	1 15/16	8.7	3/5V750SF	SF	A-1	1 1/8	2 1/16	12.5
8.00	7.90	2/5V800SK	SK	C-2	7/16	1 15/16	10.0	3/5V800SF	SF	A-1	1 1/8	2 1/16	12.7
8.50	8.40	2/5V850SK	SK	C-2	7/16	1 15/16	10.8	3/5V850SF	SF	A-2	1 1/8	2 1/16	14.5
9.00	8.90	2/5V900SK	SK	C-2	7/16	1 15/16	11.4	3/5V900SF	SF	A-2	1 1/8	2 1/16	15.6
9.25	9.15	2/5V925SK	SK	C-2	7/16	1 15/16	12.0	3/5V925SF	SF	A-2	1 1/8	2 1/16	21.7
9.75	9.65	2/5V975SK	SK	C-3	7/16	1 15/16	12.6	3/5V975SF	SF	A-2	1 1/8	2 1/16	17.0
10.30	10.20	2/5V1030SK	SK	C-3	7/16	1 15/16	14.5	3/5V1030SF	SF	A-2	1 1/8	2 1/16	18.2
10.90	10.80	2/5V1090SK	SK	C-3	7/16	1 15/16	15.5	3/5V1090SF	SF	A-2	1 1/8	2 1/16	19.4
11.30	11.20	2/5V1130SK	SK	C-3	7/16	1 15/16	14.3	3/5V1130SF	SF	A-3	1 1/8	2 1/16	20.0
11.80	11.70	2/5V1180SK	SK	C-3	7/16	1 15/16	17.1	3/5V1180SF	SF	A-3	1 1/8	2 1/16	21.2
12.50	12.40	2/5V1250SF	SF	C-3	7/16	2 1/16	18.8	3/5V1250E	E	C-3	3/4	2 3/4	28.3
13.20	13.10	2/5V1320SF	SF	C-3	7/16	2 1/16	19.8	3/5V1320E	E	C-3	3/4	2 3/4	30.0
14.00	13.90	2/5V1400SF	SF	C-3	7/16	2 1/16	22.3	3/5V1400E	E	C-3	3/4	2 3/4	31.1
15.00	14.90	2/5V1500SF	SF	C-3	7/16	2 1/16	23.9	3/5V1500E	E	C-3	3/4	2 3/4	32.5
16.00	15.90	2/5V1600SF	SF	C-3	7/16	2 1/16	26.0	3/5V1600E	E	C-3	3/4	2 3/4	35.6
18.70	18.60	2/5V1870SF	SF	C-3	7/16	2 1/16	32.6	3/5V1870E	E	C-3	3/4	2 3/4	42.8
21.20	21.10	2/5V2120SF	SF	C-3	7/16	2 1/16	38.0	3/5V2120E	E	C-3	3/4	2 3/4	49.4
23.60	23.50	2/5V2360E	E	C-3	1/16	2 3/4	46.0	3/5V2360E	E	C-3	3/4	2 3/4	56.4
28.00	27.90	2/5V2800E	E	C-3	1/16	2 3/4	71.0	3/5V2800E	E	C-3	3/4	2 3/4	70.0
31.50	31.40							3/5V3150F	F	F-3	1/8	3 3/4	95.0
37.50	37.40							3/5V3750F	F	F-3	1/8	3 3/4	151.5
50.00	49.90							3/5V5000F	F	F-3	1/8	3 3/4	185.0

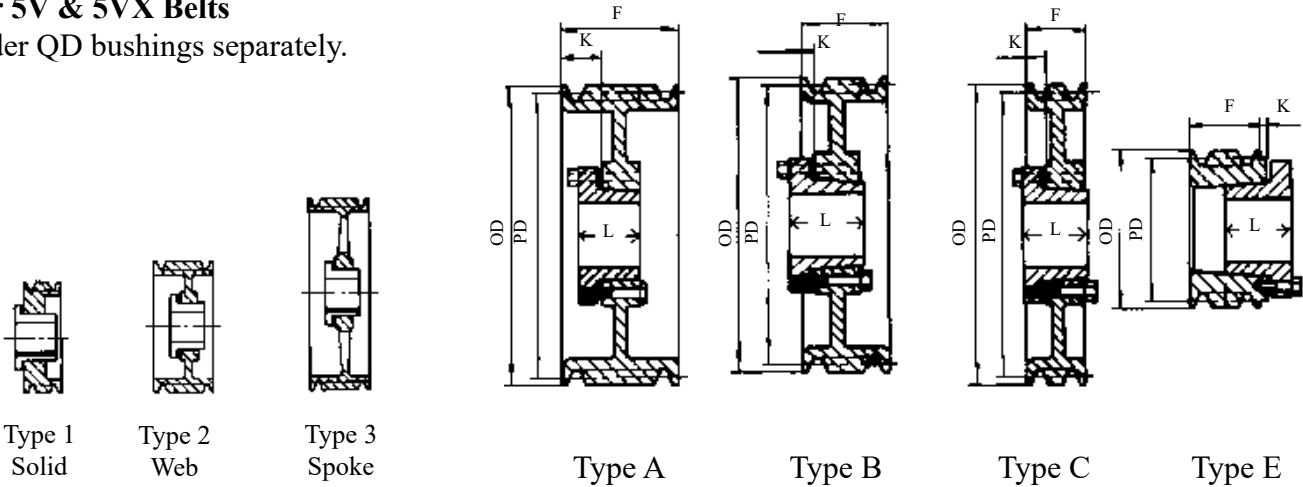
Note: Cast iron sheaves may not exceed 6500 FPM.
 This speed **DOES NOT** specify if dynamic balancing
 (2 plane) is required. Contact customer service to
 verify whether dynamic balancing is required.

QD Bushing Sheaves

Cast Iron Sheaves - **Heavy Duty**
Bushed, **Four and Five Groove**
5V QD Sheaves

Order part number size
Example: 4/5V440SD

For 5V & 5VX Belts
Order QD bushings separately.



Type 1
Solid

Type 2
Web

Type 3
Spoke

Type A

Type B

Type C

Type E

Diameters		4 Groove F = 3 1/16						5 Groove F = 3 3/4					
O.D.	P.D.	Part No.	Bush	Type	K	L	WT.	Part No.	Bush	Type	K	L	WT.
4.40	4.30	4/5V440SD	SD	E-1	0	1 13/16	5.4	5/5V440SD	SD	E-1	0	1 13/16	6.4
4.65	4.55	4/5V465SD	SD	E-1	0	1 13/16	6.3	5/5V465SD	SD	E-1	0	1 13/16	7.2
4.90	4.80	4/5V490SD	SD	A-1	1 5/16	1 13/16	6.8	5/5V490SD	SD	A-1	1 5/16	1 13/16	7.8
5.20	5.10	4/5V520SD	SD	A-1	1 5/16	1 13/16	7.7	5/5V520SD	SD	A-1	1 5/16	1 13/16	9.0
5.50	5.40	4/5V550SD	SD	A-1	1 5/16	1 13/16	8.9	5/5V550SD	SD	A-1	1 5/16	1 13/16	10.2
5.90	5.80	4/5V590SD	SD	A-1	1 5/16	1 13/16	10.2	5/5V590SK	SK	A-1	1 5/16	1 15/16	10.8
6.30	6.20	4/5V630SK	SK	A-1	1 5/16	1 15/16	10.8	5/5V630SK	SK	A-1	1 5/16	1 15/16	12.3
6.70	6.60	4/5V670SK	SK	A-1	1 5/16	1 15/16	12.4	5/5V670SF	SF	A-1	1 3/8	2 1/16	13.4
7.10	7.00	4/5V710SF	SF	A-1	1 1/16	2 1/16	13.4	5/5V710SF	SF	A-1	1 3/8	2 1/16	15.2
7.50	7.40	4/5V750SF	SF	A-1	1 1/16	2 1/16	15.1	5/5V750SF	SF	A-1	1 3/8	2 1/16	16.9
8.00	7.90	4/5V800E	E	B-1	1 7/16	2 3/4	18.0	5/5V800E	E	A-1	1 3/4	2 3/4	19.7
8.50	8.40	4/5V850E	E	B-1	1 7/16	2 3/4	20.1	5/5V850E	E	A-1	1 3/4	2 3/4	23.1
9.00	8.90	4/5V900E	E	B-1	1 7/16	2 3/4	22.3	5/5V900E	E	A-1	1 3/4	2 3/4	26.4
9.25	9.15	4/5V925E	E	B-1	1 7/16	2 3/4	23.9	5/5V925E	E	A-1	1 3/4	2 3/4	28.3
9.75	9.65	4/5V975E	E	B-2	1 7/16	2 3/4	23.3	5/5V975E	E	A-2	1 3/4	2 3/4	26.2
10.30	10.20	4/5V1030E	E	B-2	1 7/16	2 3/4	25.5	5/5V1030E	E	A-2	1 3/4	2 3/4	28.5
10.90	10.80	4/5V1090E	E	B-2	1 7/16	2 3/4	28.0	5/5V1090E	E	A-2	1 3/4	2 3/4	30.7
11.30	11.20	4/5V1130E	E	B-2	1 7/16	2 3/4	28.5	5/5V1130E	E	A-2	1 3/4	2 3/4	32.3
11.80	11.70	4/5V1180E	E	B-2	1 7/16	2 3/4	29.9	5/5V1180E	E	A-2	1 3/4	2 3/4	33.5
12.50	12.40	4/5V1250E	E	B-3	1 7/16	2 3/4	31.2	5/5V1250E	E	A-3	1 3/4	2 3/4	36.3
13.20	13.10	4/5V1320E	E	B-3	1 7/16	2 3/4	33.7	5/5V1320E	E	A-3	1 3/4	2 3/4	38.4
14.00	13.90	4/5V1400E	E	B-3	1 7/16	2 3/4	34.4	5/5V1400E	E	A-3	1 3/4	2 3/4	40.0
15.00	14.90	4/5V1500E	E	B-3	1 7/16	2 3/4	37.0	5/5V1500E	E	A-3	1 3/4	2 3/4	42.7
16.00	15.90	4/5V1600E	E	B-3	1 7/16	2 3/4	39.6	5/5V1600E	E	A-3	1 3/4	2 3/4	58.0
18.70	18.60	4/5V1870E	E	A-3	1 1/4	2 3/4	51.8	5/5V1870F	F	B-3	1 1/4	3 3/4	67.0
21.20	21.10	4/5V2120E	E	A-3	1 1/4	2 3/4	58.3	5/5V2120F	F	B-3	1 1/4	3 3/4	88.0
23.60	23.50	4/5V2360F	F	C-3	7/8	3 3/4	70.0	5/5V2360F	F	B-3	1 1/4	3 3/4	114.9
28.00	27.90	4/5V2800F	F	C-3	7/8	3 3/4	92.0	5/5V2800F	F	B-3	1 1/4	3 3/4	126.0
31.50	31.40	4/5V3150F	F	C-3	7/8	3 3/4	108.0	5/5V3150J	J	C-3	9/16	4 5/8	132.0
37.50	37.40	4/5V3750F	F	C-3	7/8	3 3/4	138.0	5/5V3750J	J	C-3	9/16	4 5/8	174.0
50.00	49.90	4/5V5000J	J	B-3	1/8	4 5/8	227.0	5/5V5000J	J	C-3	9/16	4 5/8	247.0

Note: Cast iron sheaves may not exceed 6500 FPM.
This speed **DOES NOT** specify if dynamic balancing
(2 plane) is required. Contact customer service to verify
whether dynamic balancing is required.

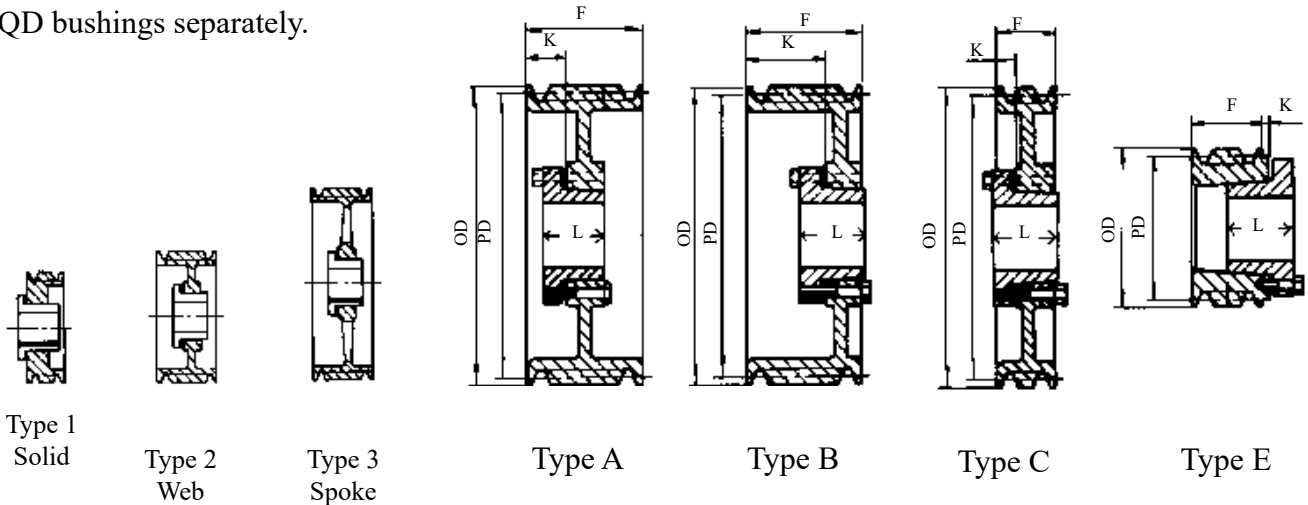
QD Bushing Sheaves

Cast Iron Sheaves - **Heavy Duty**
 Bushed, **Six and Seven Groove**
 5V QD Sheaves
 Order part number size
 Example: 6/5V440SD



For 5V & 5VX Belts

Order QD bushings separately.



Diameters		6 Groove F = 4 7/16						7 Groove F = 5 1/8					
O.D.	P.D.	Part No.	Bush	Type	K	L	WT.	Part No.	Bush	Type	K	L	WT.
4.40	4.30	6/5V440SD	SD	E-1	0	1 13/16	7.7						
4.65	4.55	6/5V465SD	SD	E-1	0	1 13/16	8.1						
4.90	4.80	6/5V490SD	SD	A-1	1 5/16	1 13/16	8.1						
5.20	5.10	6/5V520SD	SD	A-1	1 5/16	1 13/16	10.5						
5.50	5.40	6/5V550SD	SD	A-1	1 5/16	1 13/16	12.0						
5.90	5.80	6/5V590SK	SK	A-1	1 5/16	1 15/16	12.6						
6.30	6.20	6/5V630SK	SK	A-1	1 5/16	1 15/16	14.5						
6.70	6.60	6/5V670SF	SF	A-1	1 5/8	2 1/16	15.4						
7.10	7.00	6/5V710SF	SF	A-1	1 5/8	2 1/16	17.4	7/5V710SF	SF	A-1	2 1/8	2 1/16	17.7
7.50	7.40	6/5V750SF	SF	A-1	1 5/8	2 1/16	19.4	7/5V750SF	SF	A-1	2 1/8	2 1/16	20.1
8.00	7.90	6/5V800E	E	A-1	2	2 3/4	22.7	7/5V800E	E	A-1	2 1/2	2 3/4	23.8
8.50	8.40	6/5V850E	E	A-1	2	2 3/4	26.0	7/5V850E	E	A-1	2 1/2	2 3/4	26.5
9.00	8.90	6/5V900E	E	A-1	2	2 3/4	29.4	7/5V900E	E	A-1	2 1/2	2 3/4	32.0
9.25	9.15	6/5V925E	E	A-1	2	2 3/4	30.8	7/5V925E	F	A-1	2 9/16	3 3/4	37.5
9.75	9.65	6/5V975E	E	A-2	2	2 3/4	35.0	7/5V975E	F	A-1	2 9/16	3 3/4	43.0
10.30	10.20	6/5V1030E	E	A-2	2	2 3/4	33.0	7/5V1030F	F	A-1	2 9/16	3 3/4	44.3
10.90	10.80	6/5V1090E	E	A-2	2	2 3/4	35.6	7/5V1090F	F	A-2	2 9/16	3 3/4	45.5
11.30	11.20	6/5V1130E	E	A-2	2	2 3/4	36.7	7/5V1130F	F	A-2	2 9/16	3 3/4	47.0
11.80	11.70	6/5V1180E	E	A-2	2	2 3/4	41.4	7/5V1180F	F	A-2	2 9/16	3 3/4	50.0
12.50	12.40	6/5V1250F	F	B-3	15/16	3 3/4	45.2	7/5V1250F	F	A-2	2 9/16	3 3/4	53.3
13.20	13.10	6/5V1320F	F	B-3	15/16	3 3/4	50.0	7/5V1320F	F	A-3	2 9/16	3 3/4	56.0
14.00	13.90	6/5V1400F	F	B-3	15/16	3 3/4	52.6	7/5V1400F	F	A-3	2 9/16	3 3/4	60.5
15.00	14.90	6/5V1500F	F	B-3	15/16	3 3/4	55.2	7/5V1500F	F	A-3	2 9/16	3 3/4	65.0
16.00	15.90	6/5V1600F	F	B-3	1 15/16	3 3/4	58.0	7/5V1600F	F	A-3	2 9/16	3 3/4	71.0
18.70	18.60	6/5V1870F	F	A-3	1 5/16	3 3/4	70.0	7/5V1870J	J	A-3	1 9/16	4 5/8	91.0
21.20	21.10	6/5V2120F	F	A-3	1 5/16	3 3/4	81.0						
23.60	23.50	6/5V2360J	J	B-3	1 1/4	4 5/8	117.5						
28.00	27.90	6/5V2800J	J	B-3	1 1/4	4 5/8	125.0						
31.50	31.40	6/5V3150J	J	B-3	1 1/4	4 5/8	200.0						
37.50	37.40	6/5V3750J	J	B-3	1 1/4	4 5/8	235.0						
50.00	49.90	6/5V5000M	M	C-3	3/4	6 3/4	330.0						

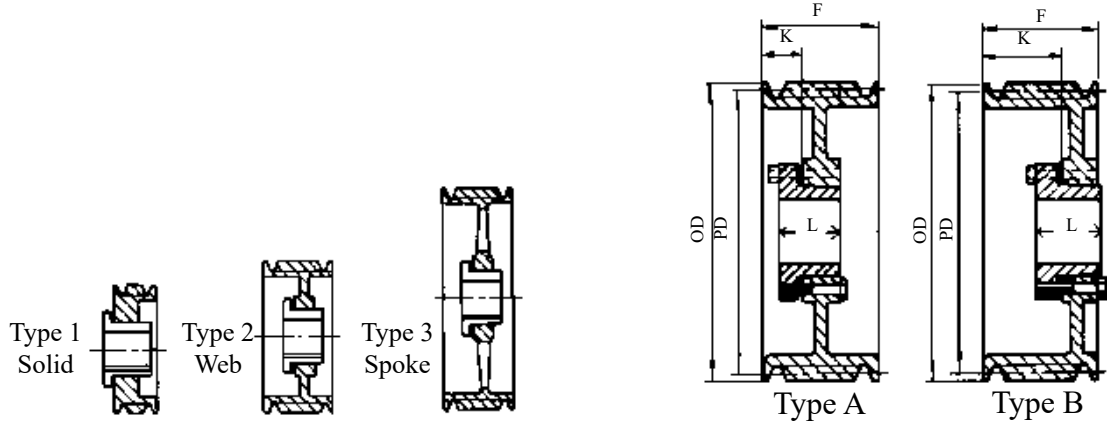
Note: Cast iron sheaves may not exceed 6500 FPM.
 This speed **DOES NOT** specify if dynamic balancing
 (2 plane) is required. Contact customer service to verify
 whether dynamic balancing is required.

QD Bushing Sheaves

Cast Iron Sheaves - **Heavy Duty**
 Bushed, **Eight and Ten Groove**
 Order part number size
 Example: 8/5V710SF



For **5V & 5VX Belts**
 Order QD bushings separately.



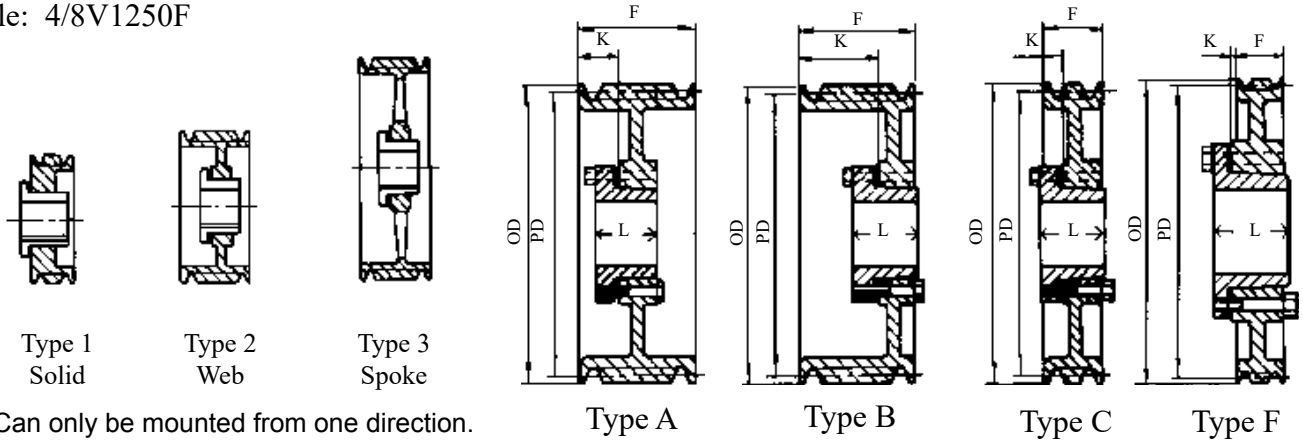
Diameters		8 Groove F = 5 13/16						10 Groove F = 7 3/16					
O.D.	P.D.	Part No.	Bush	Type	K	L	WT.	Part No.	Bush	Type	K	L	WT.
7.10	7.00	8/5V710SF	SF	A-1	2 1/8	2 1/16	20.7						
7.50	7.40	8/5V750SF	SF	A-1	2 1/8	2 1/16	23.1						
8.00	7.90	8/5V800E	E	A-1	2 1/2	2 3/4	26.8	10/5V800E	E	A-1	3 1/4	2 3/4	30.9
8.50	8.40	8/5V850E	E	A-1	2 1/2	2 3/4	29.5	10/5V850E	E	A-1	3 1/4	2 3/4	34.9
9.00	8.90	8/5V900E	E	A-1	2 1/2	2 3/4	35.0	10/5V900F	F	A-1	3 5/16	3 3/4	43.7
9.25	9.15	8/5V925F	F	A-1	2 9/16	3 3/4	40.5	10/5V925F	F	A-1	3 5/16	3 3/4	45.6
9.75	9.65	8/5V975F	F	A-1	2 9/16	3 3/4	46.0	10/5V975F	F	A-1	3 5/16	3 3/4	51.0
10.30	10.20	8/5V1030F	F	A-1	2 9/16	3 3/4	47.3	10/5V1030F	F	A-1	3 5/16	3 3/4	59.0
10.90	10.80	8/5V1090F	F	A-2	2 9/16	3 3/4	48.5	10/5V1090F	F	A-2	3 5/16	3 3/4	65.5
11.30	11.20	8/5V1130F	F	A-2	2 9/16	3 3/4	50.0	10/5V1130F	F	A-2	3 5/16	3 3/4	60.8
11.80	11.70	8/5V1180F	F	A-2	2 9/16	3 3/4	53.0	10/5V1180F	F	A-2	3 5/16	3 3/4	63.0
12.50	12.40	8/5V1250F	F	A-2	2 9/16	3 3/4	56.3	10/5V1250J	J	A-2	3 9/16	4 5/8	71.3
13.20	13.10	8/5V1320F	F	A-3	2 9/16	3 3/4	59.0	10/5V1320J	J	A-2	3 9/16	4 5/8	79.5
14.00	13.90	8/5V1400F	F	A-3	2 9/16	3 3/4	63.5	10/5V1400J	J	A-2	3 9/16	4 5/8	88.0
15.00	14.90	8/5V1500F	F	A-3	2 9/16	3 3/4	68.0	10/5V1500J	J	A-2	3 9/16	4 5/8	94.5
16.00	15.90	8/5V1600F	F	A-3	2 9/16	3 3/4	74.0	10/5V1600J	J	A-3	3 9/16	4 5/8	101.2
18.70	18.60	8/5V1870J	J	A-3	1 9/16	4 5/8	94.0	10/5V1870J	J	A-3	1 9/16	4 5/8	109.6
21.20	21.10	8/5V2120J	J	A-3	1 9/16	4 5/8	106.0	10/5V2120J	J	A-3	1 9/16	4 5/8	122.0
23.60	23.50	8/5V2360J	J	A-3	1 9/16	4 5/8	120.0	10/5V2360M	M	B-3	1 15/16	6 3/4	174.0
28.00	27.90	8/5V2800J	J	A-3	1 9/16	4 5/8	145.0	10/5V2800M	M	B-3	1 15/16	6 3/4	214.0
31.50	31.40	8/5V3150M	M	B-3	5/8	6 3/4	196.2	10/5V3150M	M	B-3	1 15/16	6 3/4	238.0
37.50	37.40	8/5V3750M	M	B-3	5/8	6 3/4	248.0	10/5V3750M	M	B-3	1 15/16	6 3/4	283.0
50.00	49.90	8/5V5000M	M	B-3	5/8	6 3/4	367.0	10/5V5000M	M	B-3	1 15/16	6 3/4	427.0

Note: Cast iron sheaves may not exceed 6500 FPM.
 This speed **DOES NOT** specify if dynamic balancing
 (2 plane) is required. Contact customer service to verify
 whether dynamic balancing is required.

QD Bushing Sheaves

Cast Iron Sheaves - **Heavy Duty**
 Bushed, **Four, Five, Six and Seven Groove**
 8V QD Sheaves
 Order part number size
 Example: 4/8V1250F

For 8V Belts. Order QD bushings separately.



* = Can only be mounted from one direction.

Diameters		4 Groove F = 4 7/8						5 Groove F = 6					
O.D.	P.D.	Part No.	Bush	Type	K	L	WT.	Part No.	Bush	Type	K	L	WT.
12.50	12.30	4/8V1250F	F	A-1	1 3/16	3 3/4	60.0	5/8V1250F	F	A-1	2 5/16	3 3/4	82.8
13.20	13.00	4/8V1320F	F	A-2	1 3/16	3 3/4	64.0	5/8V1320F	F	A-2	2 5/16	3 3/4	96.0
14.00	13.80	4/8V1400F	F	A-2	1 3/16	3 3/4	68.3	5/8V1400F	F	A-2	2 5/16	3 3/4	81.0
15.00	14.80	4/8V1500F	F	A-2	1 3/16	3 3/4	72.6	5/8V1500F	F	A-2	2 5/16	3 3/4	84.5
16.00	15.80	4/8V1600F	F	A-2	1 3/16	3 3/4	77.0	5/8V1600F	F	A-2	2 5/16	3 3/4	95.5
17.00	16.80	4/8V1700F	F	A-3	1 3/16	3 3/4	83.5	5/8V1700J	J	A-3	2	4 5/8	104.5
18.00	17.80	4/8V1800F	F	A-3	1 3/16	3 3/4	90.0	5/8V1800J	J	A-3	2	4 5/8	115.2
19.00	18.80	4/8V1900F	F	A-3	1 3/16	3 3/4	112.0	5/8V1900J	J	A-3	2	4 5/8	122.0
20.00	19.80	4/8V2000J	J	A-3	1 7/16	4 5/8	114.0	5/8V2000J	J	A-3	2	4 5/8	133.0
21.20	21.00	4/8V2120J	J	A-3	1 7/16	4 5/8	140.0	5/8V2120J	J	A-3	2	4 5/8	140.0
22.40	22.20	4/8V2240J	J	A-3	1 7/16	4 5/8	150.0	5/8V2240M	M	B-3	13/16	6 3/4	182.0
24.80	24.60	4/8V2480M	M	F-3	5/16	6 3/4	211.0	5/8V2480M	M	B-3	13/16	6 3/4	201.0
30.00	29.80	4/8V3000M	M	F-3	5/16	6 3/4	264.0	5/8V3000M	M	B-3	13/16	6 3/4	254.0
35.50	35.30	4/8V3550M	M	F-3	5/16	6 3/4	367.0	5/8V3550M	M	B-3	13/16	6 3/4	298.0
40.00	39.80	4/8V4000M	M	F-3	5/16	6 3/4	300.0	5/8V4000M	M	B-3	13/16	6 3/4	337.0
44.50	44.30	4/8V4450M	M	C-3	13/16	6 3/4	350.0	5/8V4450N	N	C-3	15/16	8 1/8	375.0
53.00	52.80	4/8V5300M	M	C-3	13/16	6 3/4	400.0	5/8V5300N	N	F-3	1/4	8 1/8	625.0
Diameters		6 Groove F = 7 1/8						7 Groove F = 8 1/4					
O.D.	P.D.	Part No.	Bush	Type	K	L	WT.	Part No.	Bush	Type	K	L	WT.
12.50	12.30	6/8V1250F	F	A-1	2 5/16	3 3/4	81.0	7/8V1250J	J	A-1	3 9/16	4 5/8	113.0
13.20	13.00	6/8V1320F	F	A-1	2 5/16	3 3/4	85.4	7/8V1320J	J	A-2	3 9/16	4 5/8	127.0
14.00	13.80	6/8V1400F	F	A-1	2 5/16	3 3/4	96.0	7/8V1400J	J	A-2	3 9/16	4 5/8	123.0
15.00	14.80	6/8V1500J	J	A-1	2 9/16	4 5/8	110.0	7/8V1500J	J	A-1	3 15/16	4 5/8	142.0
16.00	15.80	6/8V1600J	J	A-1	2 9/16	4 5/8	118.0	7/8V1600J	J	A-2	3 15/16	4 5/8	160.0
17.00	16.80	6/8V1700J	J	A-2	2 9/16	4 5/8	126.0	7/8V1700M	M	A-2	3 15/16	6 3/4	226.0
18.00	17.80	6/8V1800J	J	A-2	2 9/16	4 5/8	133.0	7/8V1800M	M	A-2	3 15/16	6 3/4	228.0
19.00	18.80	6/8V1900J	J	A-2	2 9/16	4 5/8	157.0	7/8V1900M	M	A-2	3 15/16	6 3/4	220.0
20.00	19.80	6/8V2000M	M	B-2	15/16	6 3/4	185.0	7/8V2000M	M	A-2	3 15/16	6 3/4	210.0
21.20	21.00	6/8V2120M	M	B-2	1 15/16	6 3/4	194.0						
22.40	22.20	6/8V2240M	M	B-3	1 15/16	6 3/4	221.0						
24.80	24.60	6/8V2480M	M	B-3	1 15/16	6 3/4	248.0						
30.00	29.80	6/8V3000M	M	B-3	1 15/16	6 3/4	276.0						
35.50	35.30	6/8V3550N	N	C-3	1 1/8	8 1/8	444.0						
40.00	39.80	6/8V4000N	N	C-3	1 1/8	8 1/8	519.0						
44.50	44.30	6/8V4450N	N	C-3	7/8	8 1/8	600.0						
53.00	52.80	6/8V5300N	N	C-3	7/8	8 1/8	768.0						
63.00	62.80	*6/8V6300P	P	C-3	2	9 3/8	890.0						
71.00	70.80	*6/8V7100P	P	C-3	2	9 3/8	1000.0						

Note: Cast iron sheaves may not exceed 6500 FPM. This speed **DOES NOT** specify if dynamic balancing (2 plane) is required. Contact customer service to verify whether dynamic balancing is required.

QD Bushing Sheaves

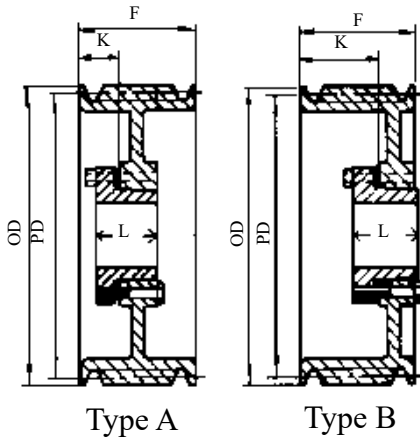
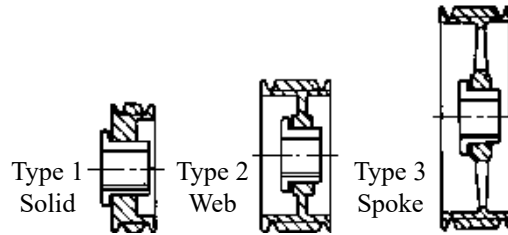
Cast Iron Sheaves - **Heavy Duty**
Bushed, **Eight and Ten Groove**

Order part number size

Example: 8/8V1250J

For 8V Belts.

Order QD bushings separately.



Diameters		8 Groove F = 9 3/8						10 Groove F = 11 5/8					
O.D.	P.D.	Part No.	Bush	Type	K	L	WT.	Part No.	Bush	Type	K	L	WT.
12.50	12.30	8/8V1250J	J	A-1	3 9/16	4 5/8	117.0	10/8V1250J	J	A-1	3 9/16	4 5/8	134.0
13.20	13.00	8/8V1320J	J	A-2	3 9/16	4 5/8	131.0	10/8V1320J	J	A-2	3 9/16	4 5/8	150.5
14.00	13.80	8/8V1400J	J	A-2	3 9/16	4 5/8	127.0	10/8V1400J	J	A-2	3 9/16	4 5/8	167.0
15.00	14.80	8/8V1500J	J	A-1	3 15/16	4 5/8	146.0	10/8V1500M	M	A-1	3 15/16	6 3/4	225.0
16.00	15.80	8/8V1600J	J	A-2	3 15/16	4 5/8	162.0	10/8V1600M	M	A-2	3 15/16	6 3/4	263.0
17.00	16.80	8/8V1700M	M	A-2	3 15/16	6 3/4	228.0	10/8V1700M	M	A-2	3 15/16	6 3/4	267.5
18.00	17.80	8/8V1800M	M	A-2	3 15/16	6 3/4	230.0	10/8V1800M	M	A-2	3 15/16	6 3/4	272.0
19.00	18.80	8/8V1900M	M	A-2	3 15/16	6 3/4	222.0	10/8V1900M	M	A-2	3 15/16	6 3/4	269.0
20.00	19.80	8/8V2000M	M	A-2	3 15/16	6 3/4	213.0	10/8V2000M	M	A-2	3 15/16	6 3/4	253.0
21.20	21.00	8/8V2120M	M	A-2	3 15/16	6 3/4	230.0	10/8V2120M	M	A-2	3 15/16	6 3/4	267.0
22.40	22.20	8/8V2240M	M	A-2	3 15/16	6 3/4	244.0	10/8V2240N	N	A-2	2 1/4	8 1/8	332.0
24.80	24.60	8/8V2480N	N	A-3	2 1/4	8 1/8	365.7	10/8V2480N	N	A-3	2 1/4	8 1/8	356.0
30.00	29.80	8/8V3000N	N	A-3	2 1/4	8 1/8	410.0	10/8V3000N	N	A-3	2 1/4	8 1/8	425.0
35.50	35.30	8/8V3550N	N	A-3	2 1/4	8 1/8	508.0	*10/8V3550P	P	A-3	2 5/8	9 3/8	635.0
40.00	39.80	8/8V4000N	N	A-3	2 1/4	8 1/8	592.0	*10/8V4000P	P	A-3	2 5/8	9 3/8	754.0
44.50	44.30	*8/8V4450P	P	B-3	2 5/8	9 3/8	860.0	*10/8V4450P	P	A-3	2 5/8	9 3/8	813.5
53.00	52.80	*8/8V5300P	P	B-3	2 5/8	9 3/8	992.0	*10/8V5300P	P	A-3	1 3/4	9 3/8	1137.0
63.00	62.80	*8/8V6300P	P	B-3	2 5/8	9 3/8	1050.0	*10/8V6300W	W	A-3	2 5/8	11 3/8	1500.0
71.00	70.80	*8/8V7100W	W	B-3	2 1/4	11 3/8	1808.0	*10/8V7100W	W	A-3	2 5/8	11 3/8	1916.0

* = Can only be mounted from one direction.

Note: Cast iron sheaves may not exceed 6500 FPM.

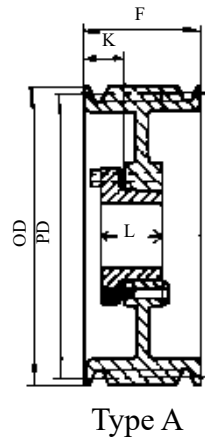
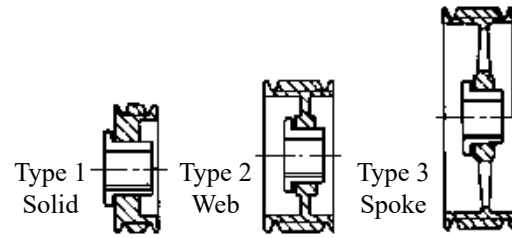
This speed **DOES NOT** specify if dynamic balancing (2 plane) is required. Contact customer service to verify whether dynamic balancing is required.

9 Groove & Severe Duty Ductile Iron Sheaves (Max Rim Speed = 8,000FPM) are available upon request.

QD Bushing Sheaves

Cast Iron Sheaves - **Heavy Duty**
 Bushed, **Twelve Groove**
 Order part number size
 Example: 12/8V1250M
For 8V Belts.

Order QD bushings separately.



Diameters		12 Groove F = 13 7/8					
O.D.	P.D.	Part No.	Bush	Type	K	L	WT.
12.50	12.30	12/8V1250M	M	A-1	3 15/16	6 3/4	198.4
13.20	13.00	12/8V1320M	M	A-1	3 15/16	6 3/4	220.5
14.00	13.80	12/8V1400M	M	A-1	3 15/16	6 3/4	242.5
15.00	14.80	12/8V1500M	M	A-1	3 15/16	6 3/4	275.6
16.00	15.80	12/8V1600M	M	A-1	3 15/16	6 3/4	313.1
17.00	16.80	12/8V1700M	M	A-1	3 15/16	6 3/4	348.3
18.00	17.80	12/8V1800M	M	A-2	3 15/16	6 3/4	352.7
19.00	18.80	12/8V1900N	N	A-2	2 1/16	8 1/8	396.8
20.00	19.80	12/8V2000N	N	A-2	2 1/16	8 1/8	421.1
21.20	21.00	12/8V2120N	N	A-2	2 1/16	8 1/8	452.0
22.40	22.20	12/8V2240N	N	A-2	2 1/16	8 1/8	485.0
24.80	24.60	12/8V2480N	N	A-2	2 1/16	8 1/8	515.9
30.00	29.80	*12/8V3000P	P	A-3	2 3/8	9 3/8	646.0
35.50	35.30	*12/8V3550P	P	A-3	2 3/8	9 3/8	754.0
35.50	35.30	*12/8V3550W	W	A-3	2 3/8	11 3/8	869.1
40.00	39.80	*12/8V4000P	P	A-3	2 3/8	9 3/8	870.9
44.50	44.30	*12/8V4450P	P	A-3	2 3/8	9 3/8	992.1
53.00	52.80	*12/8V5300W	W	A-3	2 5/8	11 3/8	1410.0
63.00	62.80	*12/8V6300W	W	A-3	2 7/8	11 3/8	1700.0
71.00	70.80	*12/8V7100W	W	A-3	2 7/8	11 3/8	2000.0

* = Can only be mounted from one direction.
Note: Cast iron sheaves may not exceed 6500 FPM.
 This speed **DOES NOT** specify if dynamic balancing (2 plane) is required. Contact customer service to verify whether dynamic balancing is required.

Severe Duty Ductile Iron Sheaves
 (Max Rim Speed = 8,000FPM) are available upon request.