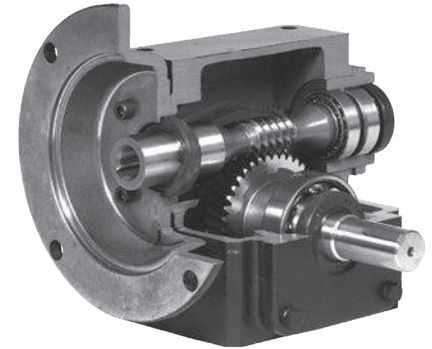


HD Cast Iron Worm Gear Reducers: Overview

Product Specifications

- » 5:1 - 60:1 ratios
- » Box sizes (Center Distances of 1.33" to 3.25")
- » One piece # FC20 all cast iron housing
- » Embedded double-lip oil seals
- » Double bearings used on both shaft ends
- » Anti-rust primer applied outside gearbox before top painting
- » S45C carbon steel shafts
- » AIBC3 aluminum - bronze gear
- » Interior oil channel guide directly and constantly lube bearings
- » Tapered roller bearing on output and input shafts
- » All angle - radiused mounting holes
- » Air dry special black paint
- » Shaft sleeve protects all shafts
- » Compact design
- » Units filled with Mobil #SHC634 synthetic oil for "A" position mounting
- » Adjust oil level for alternative mounting positions
- » Universally interchangeable
- » 1 year warranty



Flange Input
Shaft Output
Left Hand Output



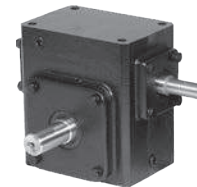
Flange Input
Shaft Output
Right Hand Output



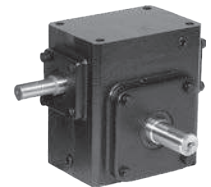
Flange Input
Shaft Output
Double End Output



Flange Input
Hollow Bore Output



Shaft Input
Shaft Output
Left Hand Output



Shaft Input
Shaft Output
Right Hand Output

HD Cast Iron Worm Gear Reducers: How To Order

» Please use the following table and nomenclature for ordering WorldWide Electric Worm Gear Reducers

Style	Box Size	Ratio	Output	Motor Frame*
S - Shaft Input	133	5:1	L - Left Hand	56C
F - Flange Input	154	10:1	R - Right Hand	145TC
	175	15:1	DE - Double End	182/4TC
	206	20:1	H - Hollow Bore	
	237	30:1		
	262	40:1		
	325	50:1		
		60:1		*Leave Blank for Shaft Input
HdR ___	___	___/___	___	___

HD Cast Iron Worm Gear Reducers: Mechanical Ratings

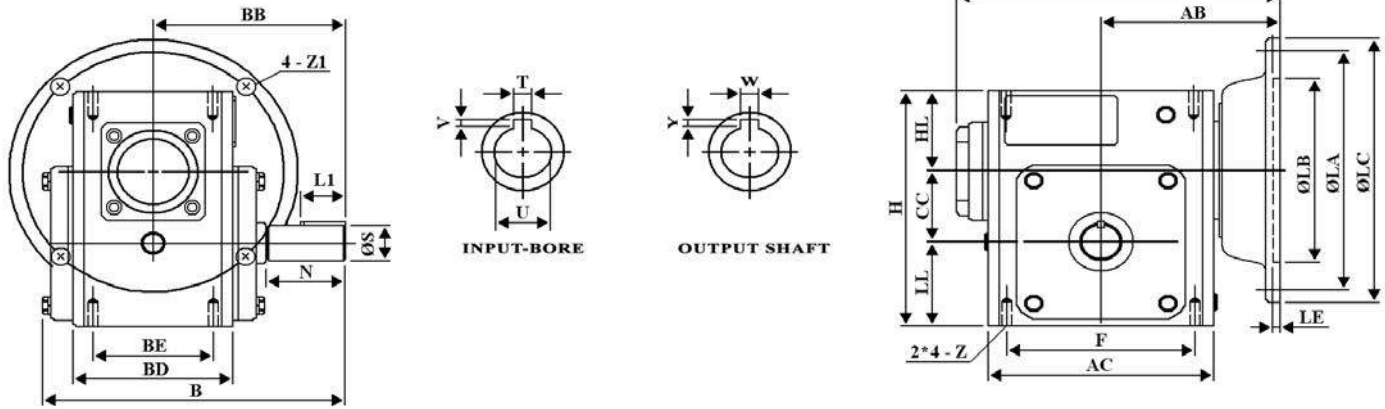
Input Speed		1750 RPM									
Box Size	Ratio	Mechanical (1.0 SF)			Thermal			Efficiency (%)	O.H.L. (lbs.)	Output Shaft Thrust Load (lbs.)	Backlash (ft.) (Angular Minutes)
		Input HP	Output Torque (lbs. in.)	Output HP	Input HP	Output Torque (lbs. in.)	Output HP				
133	5:1	1.15	209	1.05	1.21	221	1.11	91	300	300	27
	10:1	0.77	247	0.66	0.75	240	0.64	86			
	15:1	0.63	283	0.5	0.53	238	0.42	80			
	20:1	0.5	276	0.39	0.48	266	0.38	78			
	30:1	0.47	336	0.31	0.31	221	0.20	66			
	40:1	0.38	356	0.25	0.30	282	0.19	65			
	60:1	0.29	312	0.17	0.26	282	0.15	59			
154	5:1	2.06	345	1.90	2.04	341	1.88	92	450	400	23
	10:1	1.29	411	1.13	1.03	327	0.9	88			
	15:1	1.11	518	0.95	0.78	363	0.67	86			
	20:1	0.86	509	0.70	0.65	384	0.53	81			
	30:1	0.62	504	0.46	0.48	388	0.36	74			
	40:1	0.51	503	0.35	0.4	397	0.27	68			
	60:1	0.47	565	0.31	0.34	407	0.22	66			
175	5:1	2.83	499	2.62	2.28	402	2.11	93	650	550	20
	10:1	1.57	515	1.38	1.36	445	1.19	88			
	15:1	1.24	554	1.06	1.13	506	0.96	85			
	20:1	1.02	596	0.85	0.98	572	0.81	83			
	30:1	0.78	666	0.56	0.69	533	0.50	72			
	40:1	0.74	714	0.49	0.59	558	0.39	66			
	60:1	0.5	575	0.32	0.52	590	0.33	64			
206	5:1	3.62	685	3.33	2.57	486	2.36	92	700	750	17
	10:1	2.77	935	2.5	2.10	708	1.89	90			
	15:1	2.09	1002	1.78	1.40	673	1.20	85			
	20:1	1.57	914	1.29	1.17	681	0.96	82			
	30:1	1.65	1310	1.21	0.76	606	0.56	73			
	40:1	1.09	1120	0.77	0.71	726	0.50	71			
	60:1	0.74	830	0.46	0.54	606	0.33	62			
237	5:1	4.57	798	4.02	3.56	630	3.31	93	900	900	17
	10:1	3.47	1158	3.09	2.24	746	1.99	89			
	15:1	2.64	1249	2.22	1.55	732	1.30	84			
	20:1	2.06	1195	1.69	1.36	791	1.12	82			
	30:1	1.82	1507	1.39	1.02	847	0.78	76			
	40:1	1.45	1483	1.02	0.83	845	0.58	71			
	60:1	1.32	1527	0.84	0.67	779	0.43	64			
262	5:1	5.24	924	4.86	4.32	761	4.00	93	1000	1000	17
	10:1	4.17	1445	3.74	3.06	1061	2.75	90			
	15:1	3.22	1577	2.81	2.47	1212	2.16	87			
	20:1	2.67	1563	2.21	1.84	1078	1.53	83			
	30:1	2.22	1827	1.68	1.30	1072	0.99	76			
	40:1	1.85	1919	1.32	1.11	1153	0.80	72			
	60:1	1.37	1658	0.92	0.95	1152	0.64	67			
325	5:1	9.72	1724	9.06	6.93	1228	6.46	93	1200	1100	15
	10:1	7.19	2419	6.46	4.63	1558	4.16	90			
	15:1	5.45	2611	4.65	3.19	1527	2.72	85			
	20:1	4.74	2875	4.07	3.31	2011	2.85	86			
	30:1	3.66	3045	2.8	2.00	1661	1.53	77			
	40:1	3.35	3692	2.55	1.96	2156	1.49	76			
	60:1	2.49	3413	1.88	1.92	2637	1.46	76			
	60:1	2.03	3127	1.44	1.61	2476	1.14	71			

HD Cast Iron Worm Gear Reducers: Flange Input, Shaft Output

2
HEAVY DUTY
CAST IRON REDUCERS

Ratio	Output RPM @ 1800 RPM Input	WCD Center (in.)	NEMA Motor Frame	Approx. Wt. (lbs.)	Model Number Left Hand Output	Model Number Right Hand Output	Model Number Double End Output	List Price
5:1	350	1.33	56C	17	HdRF133-5/1-L-56C	HdRF133-5/1-R-56C	HdRF133-5/1-DE-56C	\$247.79
		1.54	56C	22	---	HdRF154-5/1-R-56C	HdRF154-5/1-DE-56C	\$272.12
		1.75	56C	27	HdRF175-5/1-L-56C	HdRF175-5/1-R-56C	HdRF175-5/1-DE-56C	\$299.78
		2.06	56C	32	HdRF206-5/1-L-56C	HdRF206-5/1-R-56C	HdRF206-5/1-DE-56C	\$380.53
		2.37	56C	38	HdRF237-5/1-L-56C	HdRF237-5/1-R-56C	HdRF237-5/1-DE-56C	\$457.96
		2.62	182/4TC	53	HdRF262-5/1-L-182/4TC	HdRF262-5/1-R-182/4TC	HdRF262-5/1-DE-182/4TC	\$493.36
		3.25	182/4TC	90	HdRF325-5/1-L-182/4TC	HdRF325-5/1-R-182/4TC	HdRF325-5/1-DE-182/4TC	\$696.90
10:1	175	1.33	56C	17	HdRF133-10/1-L-56C	HdRF133-10/1-R-56C	HdRF133-10/1-DE-56C	\$247.79
		1.54	56C	22	HdRF154-10/1-L-56C	HdRF154-10/1-R-56C	HdRF154-10/1-DE-56C	\$272.12
		1.75	56C	27	HdRF175-10/1-L-56C	HdRF175-10/1-R-56C	HdRF175-10/1-DE-56C	\$299.78
		2.06	56C	32	HdRF206-10/1-L-56C	HdRF206-10/1-R-56C	HdRF206-10/1-DE-56C	\$380.53
		2.37	56C	38	HdRF237-10/1-L-56C	HdRF237-10/1-R-56C	HdRF237-10/1-DE-56C	\$457.96
		2.37	145TC	53	HdRF237-10/1-L-145TC	HdRF237-10/1-R-145TC	HdRF237-10/1-145TC	\$457.96
		2.62	182/4TC	53	HdRF262-10/1-L-182/4TC	HdRF262-10/1-R-182/4TC	HdRF262-10/1-DE-182/4TC	\$493.36
3.25	182/4TC	90	HdRF325-10/1-L-182/4TC	HdRF325-10/1-R-182/4TC	HdRF325-10/1-DE-182/4TC	\$696.90		
15:1	120	1.33	56C	17	HdRF133-15/1-L-56C	HdRF133-15/1-R-56C	HdRF133-15/1-DE-56C	\$247.79
		1.54	56C	22	HdRF154-15/1-L-56C	HdRF154-15/1-R-56C	HdRF154-15/1-DE-56C	\$272.12
		1.75	56C	27	HdRF175-15/1-L-56C	HdRF175-15/1-R-56C	HdRF175-15/1-DE-56C	\$299.78
		2.06	56C	32	HdRF206-15/1-L-56C	HdRF206-15/1-R-56C	HdRF206-15/1-DE-56C	\$380.53
		2.37	56C	38	HdRF237-15/1-L-56C	HdRF237-15/1-R-56C	HdRF237-15/1-DE-56C	\$457.96
		2.62	56C	53	HdRF262-15/1-L-56C	HdRF262-15/1-R-56C	HdRF262-15/1-DE-56C	\$493.36
		2.62	145TC	53	HdRF262-15/1-L-145TC	HdRF262-15/1-R-145TC	HdRF262-15/1-DE-145TC	\$493.36
3.25	182/4TC	90	HdRF325-15/1-L-182/4TC	HdRF325-15/1-R-182/4TC	HdRF325-15/1-DE-182/4TC	\$696.90		
20:1	88	1.33	56C	17	HdRF133-20/1-L-56C	HdRF133-20/1-R-56C	HdRF133-20/1-DE-56C	\$247.79
		1.54	56C	22	HdRF154-20/1-L-56C	HdRF154-20/1-R-56C	HdRF154-20/1-DE-56C	\$272.12
		1.75	56C	27	HdRF175-20/1-L-56C	HdRF175-20/1-R-56C	HdRF175-20/1-DE-56C	\$299.78
		2.06	56C	32	HdRF206-20/1-L-56C	HdRF206-20/1-R-56C	HdRF206-20/1-DE-56C	\$380.53
		2.37	56C	38	HdRF237-20/1-L-56C	HdRF237-20/1-R-56C	HdRF237-20/1-DE-56C	\$457.96
		2.62	56C	53	HdRF262-20/1-L-56C	HdRF262-20/1-R-56C	HdRF262-20/1-DE-56C	\$493.36
		2.62	145TC	53	HdRF262-20/1-L-145TC	HdRF262-20/1-R-145TC	HdRF262-20/1-DE-145TC	\$493.36
3.25	182/4TC	90	HdRF325-20/1-L-182/4TC	HdRF325-20/1-R-182/4TC	HdRF325-20/1-DE-182/4TC	\$696.90		
30:1	58	1.33	56C	17	HdRF133-30/1-L-56C	HdRF133-30/1-R-56C	HdRF133-30/1-DE-56C	\$247.79
		1.54	56C	22	HdRF154-30/1-L-56C	HdRF154-30/1-R-56C	HdRF154-30/1-DE-56C	\$272.12
		1.75	56C	27	HdRF175-30/1-L-56C	HdRF175-30/1-R-56C	HdRF175-30/1-DE-56C	\$299.78
		2.06	56C	32	HdRF206-30/1-L-56C	HdRF206-30/1-R-56C	HdRF206-30/1-DE-56C	\$380.53
		2.37	56C	38	HdRF237-30/1-L-56C	HdRF237-30/1-R-56C	HdRF237-30/1-DE-56C	\$457.96
		2.62	56C	50	HdRF262-30/1-L-56C	HdRF262-30/1-R-56C	HdRF262-30/1-DE-56C	\$493.36
		2.62	145TC	50	HdRF262-30/1-L-145TC	HdRF262-30/1-R-145TC	HdRF262-30/1-DE-145TC	\$493.36
3.25	56C	87	HdRF325-30/1-L-56C	HdRF325-30/1-R-56C	HdRF325-30/1-DE-56C	\$696.90		
3.25	145TC	87	HdRF325-30/1-L-145TC	HdRF325-30/1-R-145TC	HdRF325-30/1-DE-145TC	\$696.90		
3.25	182/4TC	90	HdRF325-30/1-L-182/4TC	HdRF325-30/1-R-182/4TC	---	\$696.90		
40:1	44	1.33	56C	17	HdRF133-40/1-L-56C	HdRF133-40/1-R-56C	HdRF133-40/1-DE-56C	\$247.79
		1.54	56C	22	HdRF154-40/1-L-56C	HdRF154-40/1-R-56C	HdRF154-40/1-DE-56C	\$272.12
		1.75	56C	27	HdRF175-40/1-L-56C	HdRF175-40/1-R-56C	HdRF175-40/1-DE-56C	\$299.78
		2.06	56C	32	HdRF206-40/1-L-56C	HdRF206-40/1-R-56C	HdRF206-40/1-DE-56C	\$380.53
		2.37	56C	38	HdRF237-40/1-L-56C	HdRF237-40/1-R-56C	HdRF237-40/1-DE-56C	\$457.96
		2.62	56C	50	HdRF262-40/1-L-56C	HdRF262-40/1-R-56C	HdRF262-40/1-DE-56C	\$493.36
		2.62	145TC	50	HdRF262-40/1-L-145TC	---	---	\$493.36
3.25	56C	87	HdRF325-40/1-L-56C	HdRF325-40/1-R-56C	HdRF325-40/1-DE-56C	\$696.90		
3.25	145TC	87	HdRF325-40/1-L-145TC	HdRF325-40/1-R-145TC	HdRF325-40/1-DE-145TC	\$696.90		
50:1	35	1.33	56C	17	HdRF133-50/1-L-56C	HdRF133-50/1-R-56C	HdRF133-50/1-DE-56C	\$247.79
		1.54	56C	22	HdRF154-50/1-L-56C	HdRF154-50/1-R-56C	HdRF154-50/1-DE-56C	\$272.12
		1.76	56C	27	HdRF175-50/1-L-56C	HdRF175-50/1-R-56C	HdRF175-50/1-DE-56C	\$299.78
		2.06	56C	32	HdRF206-50/1-L-56C	HdRF206-50/1-R-56C	HdRF206-50/1-DE-56C	\$380.53
		2.37	56C	38	HdRF237-50/1-L-56C	HdRF237-50/1-R-56C	HdRF237-50/1-DE-56C	\$457.96
		2.62	56C	50	HdRF262-50/1-L-56C	HdRF262-50/1-R-56C	HdRF262-50/1-DE-56C	\$493.36
		2.62	56C	87	HdRF325-50/1-L-56C	HdRF325-50/1-R-56C	HdRF325-50/1-DE-56C	\$696.90
3.25	145TC	87	HdRF325-50/1-L-145TC	HdRF325-50/1-R-145TC	HdRF325-50/1-DE-145TC	\$696.90		
60:1	29	1.33	56C	17	HdRF133-60/1-L-56C	HdRF133-60/1-R-56C	HdRF133-60/1-DE-56C	\$247.79
		1.54	56C	22	HdRF154-60/1-L-56C	HdRF154-60/1-R-56C	HdRF154-60/1-DE-56C	\$272.12
		1.75	56C	27	HdRF175-60/1-L-56C	HdRF175-60/1-R-56C	HdRF175-60/1-DE-56C	\$299.78
		2.06	56C	32	HdRF206-60/1-L-56C	HdRF206-60/1-R-56C	HdRF206-60/1-DE-56C	\$380.53
		2.37	56C	38	HdRF237-60/1-L-56C	HdRF237-60/1-R-56C	HdRF237-60/1-DE-56C	\$457.96
		2.62	56C	50	HdRF262-60/1-L-56C	HdRF262-60/1-R-56C	HdRF262-60/1-DE-56C	\$493.36
		2.62	56C	87	HdRF325-60/1-L-56C	HdRF325-60/1-R-56C	HdRF325-60/1-DE-56C	\$696.90
3.25	145TC	87	HdRF325-60/1-L-145TC	HdRF325-60/1-R-145TC	HdRF325-60/1-DE-145TC	\$696.90		

HD Cast Iron Worm Gear Reducers: Dimensions Flange Input, Shaft Output, Left / Right Hand Output



2
HEAVY DUTY
CAST IRON REDUCERS

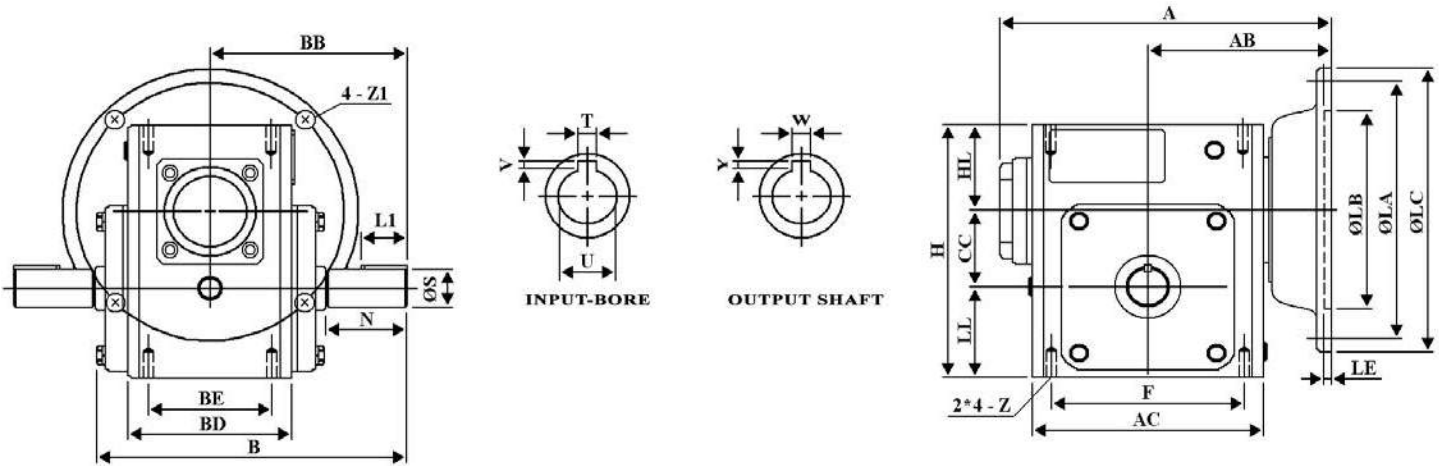
All listed dimensions in inches														
Box Size	NEMA Frame	A	AB	AC	B	BB	BD	BE	CC	F	H	HL	LL	N
133	56C	5.99	3.386	3.78	6.067	4	2.835	2	1.333	3.25	4.656	1.605	1.718	2
154	56C	7.15	3.976	4.961	6.122	4.311	3.622	2.75	1.54	4.188	5.378	1.929	1.909	1.772
175	56C	7.29	4.035	5.059	6.831	4.311	3.563	2.75	1.75	4.188	5.75	1.938	2.062	1.781
206	56C	7.95	4.37	5.748	7.249	4.69	3.819	2.88	2.062	5	6.375	2.032	2.281	2.09
237	56C	8.71	4.705	6.378	7.948	5.087	4.055	2.88	2.375	5	6.937	2.062	2.5	2.37
262	56C	9.41	5.059	7.165	8.872	5.63	4.685	3.375	2.625	6.375	8	2.437	2.938	2.626
	145TC	9.41	5.059	7.165	8.872	5.63	4.685	3.375	2.625	6.375	8	2.437	2.938	2.626
325	182/4TC	10.57	6.24	7.165	8.872	5.63	4.685	3.375	2.625	6.375	8	2.437	2.938	2.626
	56C	11.42	6.063	9.016	11.014	7.059	5.748	4	3.25	7.5	9.375	2.625	3.5	3.25
325	145TC	11.42	6.063	9.016	11.014	7.059	5.748	4	3.25	7.5	9.375	2.625	3.5	3.25
	182/4TC	12.59	7.244	9.016	11.014	7.059	5.748	4	3.25	7.5	9.375	2.625	3.5	3.25

All listed dimensions in inches														
Box Size	NEMA Frame	Z (UNC)	INPUT BORE		OUTPUT SHAFT			FLANGE					Oil (oz.)	
			U	T x V	L1	S	W x Y	LA	LB	LC	LE	Z1		
133	56C	5/16 - 18	0.625	3/16 x 3/32	1	0.625	3/16 x 3/32	5.875	4.5	6.496	0.157	0.433	5.82	
154	56C	5/16 - 18	0.625	3/16 x 3/32	1	0.75	3/16 x 3/32	5.875	4.5	6.496	0.157	0.433	11.64	
175	56C	5/16 - 18	0.625	3/16 x 3/32	1	0.875	3/16 x 3/32	5.875	4.5	6.496	0.157	0.433	11.64	
206	56C	3/8 - 16	0.625	3/16 x 3/32	1.25	1	1/4 x 1/8	5.875	4.5	6.496	0.157	0.433	19.41	
237	56C	3/8 - 16	0.625	3/16 x 3/32	1.25	1.125	1/4 x 1/8	5.875	4.5	6.496	0.157	0.433	24.07	
262	56C	3/8 - 16	0.625	3/16 x 3/32	2	1.125	1/4 x 1/8	5.875	4.5	6.496	0.157	0.433	34.55	
	145TC	3/8 - 16	0.875	3/16 x 3/32	2	1.125	1/4 x 1/8	5.875	4.5	6.496	0.157	0.433	34.55	
325	182/4TC	3/8 - 16	1.125	1/4 x 1/8	2	1.125	1/4 x 1/8	8.5	7.25	9	0.197	0.551	34.55	
	56C	7/16 - 14	0.625	3/16 x 3/32	2.438	1.375	5/16 x 5/32	5.875	4.5	6.496	0.157	0.433	73.75	
325	145TC	7/16 - 14	0.875	3/16 x 3/32	2.438	1.375	5/16 x 5/32	5.875	4.5	6.496	0.157	0.433	73.75	
	182/4TC	7/16 - 14	1.125	1/4 x 1/8	2.438	1.375	5/16 x 5/32	8.5	7.25	9	0.197	0.551	73.75	

Dimensions shown in this catalog are for general use only.
For an exact drawing on a specific rating, please contact our sales office.

HD Cast Iron Worm Gear Reducers: Dimensions Flange Input, Shaft Output, Double End Output

2
HEAVY DUTY
CAST IRON REDUCERS



All listed dimensions in inches

Box Size	NEMA Frame	A	AB	AC	B	BB	BD	BE	CC	F	H	HL	LL	N
133	56C	5.99	3.386	3.78	6.067	4	2.835	2	1.333	3.25	4.656	1.605	1.718	2
175	56C	7.29	4.035	5.059	6.831	4.311	3.563	2.75	1.75	4.188	5.75	1.938	2.062	1.781
206	56C	7.95	4.37	5.748	7.249	4.69	3.819	2.88	2.062	5	6.375	2.032	2.281	2.09
237	56C	8.71	4.705	6.378	7.948	5.087	4.055	2.88	2.375	5	6.937	2.062	2.5	2.37
262	56C	9.41	5.059	7.165	8.872	5.63	4.685	3.375	2.625	6.375	8	2.437	2.938	2.626
	145TC	9.41	5.059	7.165	8.872	5.63	4.685	3.375	2.625	6.375	8	2.437	2.938	2.626
	182/4TC	10.57	6.24	7.165	8.872	5.63	4.685	3.375	2.625	6.375	8	2.437	2.938	2.626
325	56C	11.42	6.063	9.016	11.014	7.059	5.748	4	3.25	7.5	9.375	2.625	3.5	3.25
	145TC	11.42	6.063	9.016	11.014	7.059	5.748	4	3.25	7.5	9.375	2.625	3.5	3.25
	182/4TC	12.59	7.244	9.016	11.014	7.059	5.748	4	3.25	7.5	9.375	2.625	3.5	3.25

All listed dimensions in inches

Box Size	NEMA Frame	Z (UNC)	INPUT BORE		OUTPUT SHAFT			FLANGE					Oil (oz.)
			U	T x V	L1	S	W x Y	LA	LB	LC	LE	Z1	
133	56C	5/16 - 18	0.625	3/16 x 3/32	1	0.625	3/16 x 3/32	5.875	4.5	6.496	0.157	0.433	5.82
175	56C	5/16 - 18	0.625	3/16 x 3/32	1	0.875	3/16 x 3/32	5.875	4.5	6.496	0.157	0.433	11.64
206	56C	3/8 - 16	0.625	3/16 x 3/32	1.25	1	1/4 x 1/8	5.875	4.5	6.496	0.157	0.433	19.41
237	56C	3/8 - 16	0.625	3/16 x 3/32	1.25	1.125	1/4 x 1/8	5.875	4.5	6.496	0.157	0.433	24.07
262	56C	3/8 - 16	0.625	3/16 x 3/32	2	1.125	1/4 x 1/8	5.875	4.5	6.496	0.157	0.433	34.55
	145TC	3/8 - 16	0.875	3/16 x 3/32	2	1.125	1/4 x 1/8	5.875	4.5	6.496	0.157	0.433	34.55
	182/4TC	3/8 - 16	1.125	1/4 x 1/8	2	1.125	1/4 x 1/8	8.5	7.25	9	0.197	0.551	34.55
325	56C	7/16 - 14	0.625	3/16 x 3/32	2.438	1.375	5/16 x 5/32	5.875	4.5	6.496	0.157	0.433	73.75
	145TC	7/16 - 14	0.875	3/16 x 3/32	2.438	1.375	5/16 x 5/32	5.875	4.5	6.496	0.157	0.433	73.75
	182/4TC	7/16 - 14	1.125	1/4 x 1/8	2.438	1.375	5/16 x 5/32	8.5	7.25	9	0.197	0.551	73.75

Dimensions shown in this catalog are for general use only.
For an exact drawing on a specific rating, please contact our sales office.

HD Cast Iron Worm Gear Reducers:
Flange Input, Hollow Bore Output

Ratio C	Output RPM @ 1800 RPM Input	WCD Center (in.)	NEMA Motor Frame	Approx. Wt. (lbs.)	Model Number	List Price
5:1	350	1.33	56C	17	HdRF133-5/1-H-56C	\$334.07
		1.75	56C	27	HdRF175-5/1-H-56C	\$396.02
		2.06	56C	32	HdRF206-5/1-H-56C	\$474.56
		2.37	56C	38	HdRF237-5/1-H-56C	\$542.04
		2.62	182/4TC	53	HdRF262-5/1-H-182/4TC	\$667.04
		3.25	182/4TC	90	HdRF325-5/1-H-182/4TC	\$926.99
10:1	175	1.33	56C	17	HdRF133-10/1-H-56C	\$334.07
		1.75	56C	27	HdRF175-10/1-H-56C	\$396.02
		2.06	56C	32	HdRF206-10/1-H-56C	\$474.56
		2.37	56C	38	HdRF237-10/1-H-56C	\$542.04
		2.62	182/4TC	53	HdRF262-10/1-H-182/4TC	\$667.04
		3.25	182/4TC	90	HdRF325-10/1-H-182/4TC	\$926.99
15:1	120	1.33	56C	17	HdRF133-15/1-H-56C	\$334.07
		1.75	56C	27	HdRF175-15/1-H-56C	\$396.02
		2.06	56C	32	HdRF206-15/1-H-56C	\$474.56
		2.37	56C	38	HdRF237-15/1-H-56C	\$542.04
		2.62	56C	53	HdRF262-15/1-H-56C	\$667.04
		2.62	145TC	53	HdRF262-15/1-H-145TC	\$667.04
20:1	88	3.25	182/4TC	90	HdRF325-15/1-H-182/4TC	\$926.99
		1.33	56C	17	HdRF133-20/1-H-56C	\$334.07
		1.75	56C	27	HdRF175-20/1-H-56C	\$396.02
		2.06	56C	32	HdRF206-20/1-H-56C	\$474.56
		2.37	56C	38	HdRF237-20/1-H-56C	\$542.04
		2.62	56C	53	HdRF262-20/1-H-56C	\$667.04
30:1	58	2.62	145TC	53	HdRF262-20/1-H-145TC	\$667.04
		3.25	182/4TC	90	HdRF325-20/1-H-182/4TC	\$926.99
		1.33	56C	17	HdRF133-30/1-H-56C	\$334.07
		1.75	56C	27	HdRF175-30/1-H-56C	\$396.02
		2.06	56C	32	HdRF206-30/1-H-56C	\$474.56
		2.37	56C	38	HdRF237-30/1-H-56C	\$542.04
40:1	44	2.62	56C	50	HdRF262-30/1-H-56C	\$667.04
		2.62	145TC	50	HdRF262-30/1-H-145TC	\$667.04
		3.25	56C	87	HdRF325-30/1-H-56C	\$926.99
		3.25	145TC	87	HdRF325-30/1-H-145TC	\$926.99
		1.33	56C	17	HdRF133-40/1-H-56C	\$334.07
		1.75	56C	27	HdRF175-40/1-H-56C	\$396.02
50:1	35	2.06	56C	32	HdRF206-40/1-H-56C	\$474.56
		2.37	56C	38	HdRF237-40/1-H-56C	\$542.04
		2.62	56C	50	HdRF262-40/1-H-56C	\$667.04
		3.25	56C	87	HdRF325-40/1-H-56C	\$926.99
		3.25	145TC	87	HdRF325-40/1-H-145TC	\$926.99
		1.33	56C	17	HdRF133-50/1-H-56C	\$334.07
60:1	29	1.76	56C	27	HdRF175-50/1-H-56C	\$396.02
		2.06	56C	32	HdRF206-50/1-H-56C	\$474.56
		2.37	56C	38	HdRF237-50/1-H-56C	\$542.04
		2.62	56C	50	HdRF262-50/1-H-56C	\$667.04
		3.25	56C	87	HdRF325-50/1-H-56C	\$926.99
		3.25	145TC	87	HdRF325-50/1-H-145TC	\$926.99
60:1	29	1.33	56C	17	HdRF133-60/1-H-56C	\$334.07
		1.75	56C	27	HdRF175-60/1-H-56C	\$396.02
		2.06	56C	32	HdRF206-60/1-H-56C	\$474.56
		2.37	56C	38	HdRF237-60/1-H-56C	\$542.04
		2.62	56C	50	HdRF262-60/1-H-56C	\$667.04
		3.25	56C	87	HdRF325-60/1-H-56C	\$926.99
			145TC	87	HdRF325-60/1-H-145TC	\$926.99
			182/4TC	90	HdRF325-60/1-H-182/4TC	\$926.99

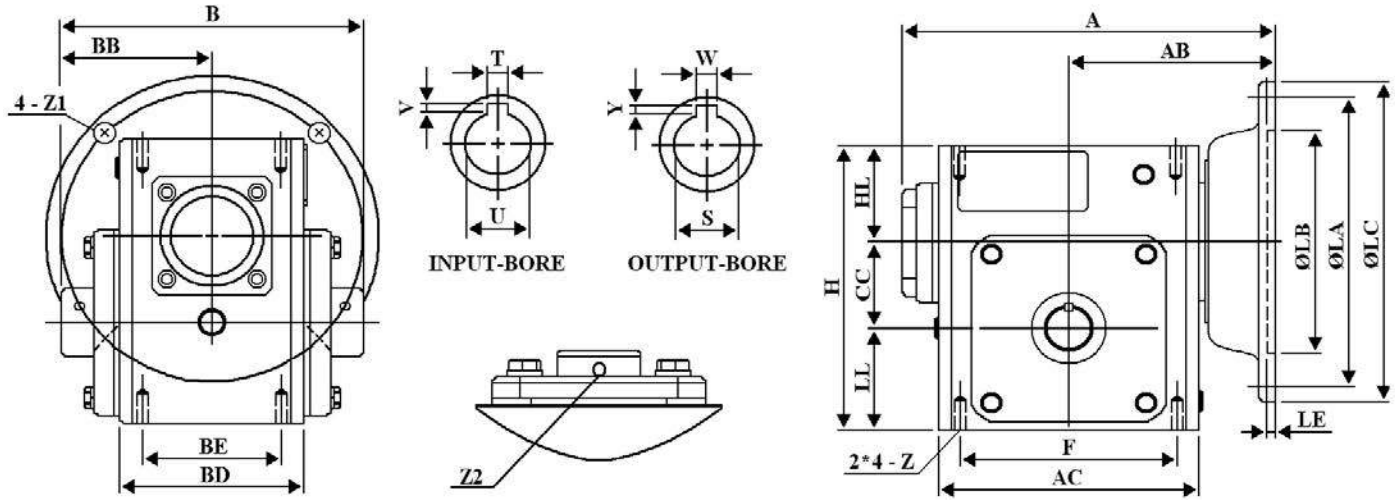
2
 HEAVY DUTY
 CAST IRON REDUCERS

HD Cast Iron Worm Gear Reducers:
Shaft Input, Shaft Output

Ratio C	Output RPM @ 1800 RPM Input	WCD Center (in.)	NEMA Motor Frame	Approx. Wt. (lbs.)	Model Number Left Hand Output	Model Number Right Hand Output	List Price
5:1	350	1.33	56C	17	HdRS133-5/1-L	HdRS133-5/1-R	\$213.50
		1.75	56C	27	HdRS175-5/1-L	HdRS175-5/1-R	\$257.74
		2.06	56C	32	HdRS206-5/1-L	HdRS206-5/1-R	\$308.63
		2.37	56C	38	HdRS237-5/1-L	HdRS237-5/1-R	\$353.98
		2.62	182/4TC	53	HdRS262-5/1-L	HdRS262-5/1-R	\$434.73
		3.25	182/4TC	90	HdRS325-5/1-L	HdRS325-5/1-R	\$612.83
10:1	175	1.33	56C	17	HdRS133-10/1-L	HdRS133-10/1-R	\$213.50
		1.54	56C	22	HdRS154-10/1-L	---	\$235.62
		1.75	56C	27	HdRS175-10/1-L	HdRS175-10/1-R	\$257.74
		2.06	56C	32	HdRS206-10/1-L	HdRS206-10/1-R	\$308.63
		2.37	56C	38	HdRS237-10/1-L	HdRS237-10/1-R	\$353.98
		2.62	182/4TC	53	HdRS262-10/1-L	HdRS262-10/1-R	\$434.73
15:1	120	1.33	56C	17	HdRS133-15/1-L	HdRS133-15/1-R	\$213.50
		1.75	56C	27	HdRS175-15/1-L	HdRS175-15/1-R	\$257.74
		2.06	56C	32	HdRS206-15/1-L	HdRS206-15/1-R	\$308.63
		2.37	56C	38	HdRS237-15/1-L	HdRS237-15/1-R	\$353.98
		2.62	56C/145TC	53	HdRS262-15/1-L	HdRS262-15/1-R	\$434.73
		3.25	182/4TC	90	HdRS325-15/1-L	HdRS325-15/1-R	\$612.83
20:1	88	1.33	56C	17	HdRS133-20/1-L	HdRS133-20/1-R	\$213.50
		1.54	56C	22	HdRS154-20/1-L	---	\$235.62
		1.75	56C	27	HdRS175-20/1-L	HdRS175-20/1-R	\$257.74
		2.06	56C	32	HdRS206-20/1-L	HdRS206-20/1-R	\$308.63
		2.37	56C	38	HdRS237-20/1-L	HdRS237-20/1-R	\$353.98
		2.62	56C/145TC	53	HdRS262-20/1-L	HdRS262-20/1-R	\$434.73
30:1	58	1.33	56C	17	HdRS133-30/1-L	HdRS133-30/1-R	\$213.50
		1.75	56C	27	HdRS175-30/1-L	HdRS175-30/1-R	\$257.74
		2.06	56C	32	HdRS206-30/1-L	HdRS206-30/1-R	\$308.63
		2.37	56C	38	HdRS237-30/1-L	HdRS237-30/1-R	\$353.98
		2.62	56C/145TC	50	HdRS262-30/1-L	HdRS262-30/1-R	\$434.73
		3.25	56C/145TC	87	HdRS325-30/1-L	HdRS325-30/1-R	\$612.83
40:1	44	1.33	56C	17	HdRS133-40/1-L	HdRS133-40/1-R	\$213.50
		1.54	56C	22	HdRS154-40/1-L	---	\$235.62
		1.75	56C	27	HdRS175-40/1-L	HdRS175-40/1-R	\$257.74
		2.06	56C	32	HdRS206-40/1-L	HdRS206-40/1-R	\$308.63
		2.37	56C	38	HdRS237-40/1-L	HdRS237-40/1-R	\$353.98
		2.62	56C	50	HdRS262-40/1-L	HdRS262-40/1-R	\$434.73
50:1	35	1.33	56C	17	HdRS133-50/1-L	HdRS133-50/1-R	\$213.50
		1.76	56C	27	HdRS175-50/1-L	HdRS175-50/1-R	\$257.74
		2.06	56C	32	HdRS206-50/1-L	HdRS206-50/1-R	\$308.63
		2.37	56C	38	HdRS237-50/1-L	HdRS237-50/1-R	\$353.98
		2.62	56C	50	HdRS262-50/1-L	HdRS262-50/1-R	\$434.73
		3.25	56C/145TC	87	HdRS325-50/1-L	HdRS325-50/1-R	\$612.83
60:1	29	1.33	56C	17	HdRS133-60/1-L	HdRS133-60/1-R	\$213.50
		1.75	56C	27	HdRS175-60/1-L	HdRS175-60/1-R	\$257.74
		2.06	56C	32	HdRS206-60/1-L	HdRS206-60/1-R	\$308.63
		2.37	56C	38	HdRS237-60/1-L	HdRS237-60/1-R	\$353.98
		2.62	56C	50	HdRS262-60/1-L	HdRS262-60/1-R	\$434.73
		3.25	56C/145TC/182/4TC	87	HdRS325-60/1-L	HdRS325-60/1-R	\$612.83

2
 HEAVY DUTY
 CAST IRON REDUCERS

HD Cast Iron Worm Gear Reducers: Dimensions Flange Input, Hollow Bore Output



All listed dimensions in inches

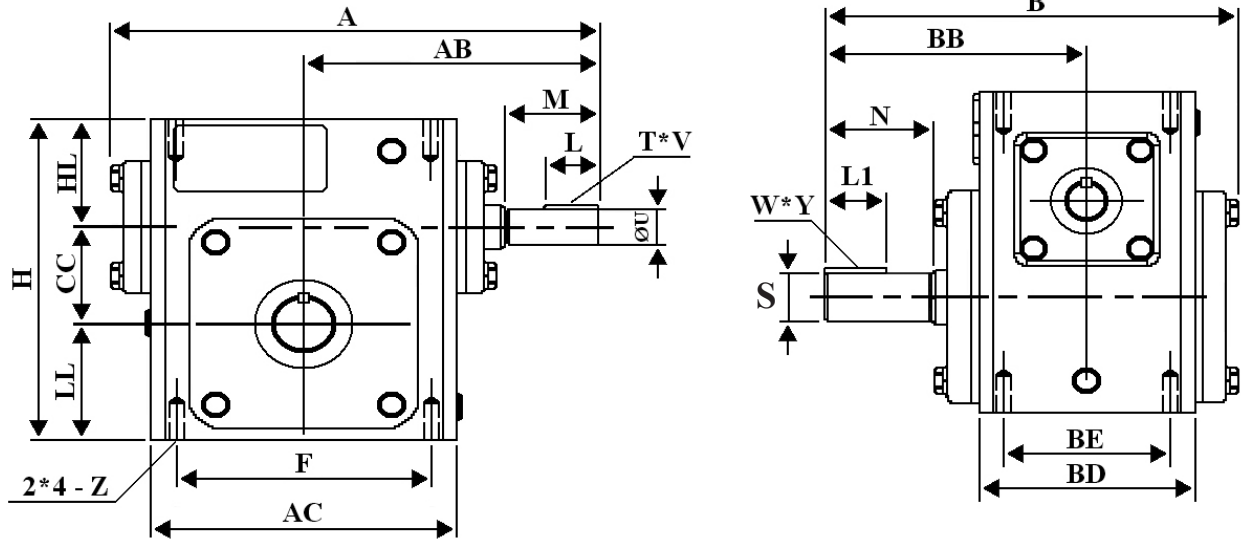
Box Size	NEMA Frame	A	AB	AC	B	BB	BD	BE	CC	F	H	HL	LL	Z2
133	56C	5.98	3.386	3.78	4.44	2.218	2.835	2	1.333	3.25	4.656	1.605	1.718	#10 - 32 UNF x 1/4
175	56C	7.28	4.035	5.059	6.18	3.091	3.563	2.75	1.75	4.19	5.75	1.938	2.062	#10 - 32 UNF x 1/4
206	56C	7.95	4.37	5.748	6.44	3.219	3.819	2.88	2.062	5	6.375	2.032	2.281	1/4 - 28 UNF x 3/8
237	56C	8.68	4.705	6.378	6.44	3.22	4.055	2.88	2.375	5	6.937	2.062	2.5	1/4 - 28 UNF x 3/8
262	56C	9.41	5.059	7.165	7	3.5	4.68	3.375	2.625	6.38	8	2.437	2.938	1/4 - 28 UNF x 3/8
	145TC	9.41	5.059	7.165	7	3.5	4.68	3.375	2.625	6.38	8	2.437	2.938	1/4 - 28 UNF x 3/8
	182/4TC	10.59	6.24	7.165	7	3.5	4.68	3.375	2.625	6.38	8	2.437	2.938	1/4 - 28 UNF x 3/8
325	56C	11.42	6.063	9.016	8.76	4.38	5.748	4	3.25	7.5	9.375	2.625	3.5	5/16 - 24 UNF x 3/8
	145TC	11.42	6.063	9.016	8.76	4.38	5.748	4	3.25	7.5	9.375	2.625	3.5	5/16 - 24 UNF x 3/8
	182/4TC	12.6	7.244	9.016	8.76	4.38	5.748	4	3.25	7.5	9.375	2.625	3.5	5/16 - 24 UNF x 3/8

All listed dimensions in inches

Box Size	NEMA Frame	Z (UNC)	INPUT BORE				FLANGE					Oil (oz.)
			U	T x V	S	W x Y	LA	LB	LC	LE	Z1	
133	56C	5/16 - 18	0.625	3/16 x 3/32	0.625	3/16 x 3/32	5.875	4.5	6.5	0.157	0.433	5.82
175	56C	5/16 - 18	0.625	3/16 x 3/32	1	1/4 x 7/64	5.875	4.5	6.5	0.157	0.433	11.64
206	56C	3/8 - 16	0.625	3/16 x 3/32	1.125	1/4 x 1/8	5.875	4.5	6.5	0.157	0.433	19.41
237	56C	3/8 - 16	0.625	3/16 x 3/32	1.25	1/4 x 1/8	5.875	4.5	6.5	0.157	0.433	24.07
262	56C	3/8 - 16	0.625	3/16 x 3/32	1.437	3/8 x 3/16	5.875	4.5	6.5	0.157	0.433	34.55
	145TC	3/8 - 16	0.875	3/16 x 3/32	1.437	3/8 x 3/16	5.875	4.5	6.5	0.157	0.433	34.55
	182/4TC	3/8 - 16	1.125	1/4 x 1/8	1.437	3/8 x 3/16	7.25	8.5	9	0.2	0.551	34.55
325	56C	7/16 - 14	0.625	3/16 x 3/32	1.937	1/2 x 1/4	5.875	4.5	6.5	0.157	0.433	73.75
	145TC	7/16 - 14	0.875	3/16 x 3/32	1.937	1/2 x 1/4	5.875	4.5	6.5	0.157	0.433	73.75
	1842/TC	7/16 - 14	1.125	1/4 x 1/8	1.937	1/2 x 1/4	7.25	8.5	9	0.2	0.551	73.75

Dimensions shown in this catalog are for general use only.
For an exact drawing on a specific rating, please contact our sales office.

HD Cast Iron Worm Gear Reducers: Dimensions Shaft Input, Shaft Output



All listed dimensions in inches

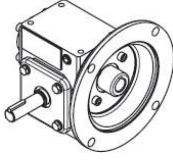
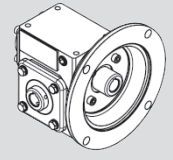
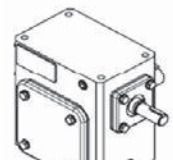
Box Size	NEMA Frame	A	AB	AC	B	BB	BD	BE	CC	F	H	HL	LL
133	56	6.45	3.907	3.78	6.067	4	2.835	2	1.333	3.25	4.656	1.605	1.718
175	56	8.06	4.872	5.059	6.831	4.311	3.563	2.75	1.75	4.188	5.75	1.938	2.062
206	56	8.65	5.128	5.748	7.249	4.69	3.819	2.88	2.062	5	6.375	2.032	2.281
	145T	8.65	5.128	5.748	7.249	4.69	3.819	2.88	2.062	5	6.375	2.032	2.281
237	56	9.69	5.75	6.378	7.948	5.087	4.055	2.88	2.375	5	6.937	2.062	2.5
	145T	9.69	5.75	6.378	7.948	5.087	4.055	2.88	2.375	5	6.937	2.062	2.5
	182/4T	9.69	5.75	6.378	7.948	5.087	4.055	2.88	2.375	5	6.937	2.062	2.5
262	56	10.61	6.309	7.165	8.872	5.63	4.685	3.375	2.625	6.375	8	2.437	2.938
	145T	10.61	6.309	7.165	8.872	5.63	4.685	3.375	2.625	6.375	8	2.437	2.938
	182/4T	10.61	6.309	7.165	8.872	5.63	4.685	3.375	2.625	6.375	8	2.437	2.938
325	145T	12.74	7.441	9.016	11.01	7.059	5.748	4	3.25	7.5	9.375	2.625	3.5
	182/4T	12.74	7.441	9.016	11.01	7.059	5.748	4	3.25	7.5	9.375	2.625	3.5

All listed dimensions in inches

Box Size	NEMA Frame	Z (UNC)	INPUT SHAFT			OUTPUT SHAFT			Oil (oz.)
			L	U	T x V	L1	S	W x Y	
133	56	5/16 - 18	0.625	0.5	1/8 x 1/16	1	0.625	3/16 x 3/32	5.82
175	56	5/16 - 18	0.875	0.625	3/16 x 3/32	1	0.875	3/16 x 3/32	11.64
206	56	3/8 - 16	0.875	0.625	3/16 x 3/32	1.25	1	1/4 x 1/8	19.41
	145T	3/8 - 16	0.875	0.625	3/16 x 3/32	1.25	1	1/4 x 1/8	19.41
237	56	3/8 - 16	1	0.75	3/16 x 3/32	1.25	1.125	1/4 x 1/8	24.07
	145T	3/8 - 16	1	0.75	3/16 x 3/32	1.25	1.125	1/4 x 1/8	24.07
	182/4T	3/8 - 16	1	0.75	3/16 x 3/32	1.25	1.125	1/4 x 1/8	24.07
262	56	3/8 - 16	1	0.75	3/16 x 3/32	2	1.125	1/4 x 1/8	34.55
	145T	3/8 - 16	1	0.75	3/16 x 3/32	2	1.125	1/4 x 1/8	34.55
	182/4T	3/8 - 16	1	0.75	3/16 x 3/32	2	1.125	1/4 x 1/8	34.55
325	145T	7/16 - 14	1	0.875	3/16 x 3/32	2.438	1.375	5/16 x 5/32	73.75
	182/4T	7/16 - 14	1	0.875	3/16 x 3/32	2.438	1.375	5/16 x 5/32	73.75

Dimensions shown in this catalog are for general use only.
For an exact drawing on a specific rating, please contact our sales office.

HD Cast Iron Worm Gear Reducers: Competitive Interchange

	Center Distance	1.33	1.75	2.06	2.37	2.62	3.25
C-FACE INPUT SHAFT OUTPUT 	WorldWide Electric	HdRF133-L/R	HdRF175-L/R	HdRF206-L/R	HdRF237-L/R	HdRF262-L/R	HdRF325-L/R
	Alling Lander	13UF	17UF	20UF	23UF	26UF	32UF
	Baldor	F913	F918	F921	F924	F926	F932
	Boston	F713	F718	F721	F724	F726	F732
	Browning - Raider	Q133	Q175	Q206	Q237	Q262	Q325
	Dodge - Tigear	Q133	Q175	Q200	—	Q262	—
	Electra *	MSC13	MSC17	MSC21	—	MSC26	—
	Falk - Omnibox	1133WBM	1175WBM	1206WBM	1238WBM	1262WBM	1325WBM
	Grove (New)	BMQ213	BMQ218	BMQ220	BMQ224	BMQ226	BMQ232
	Grove (Old)	BMQ1133	BMQ1175	BMQ1206	BMQ1238	BMQ1262	BMQ1325
	Hub City *	134	184	214	—	264	324
	Leeson	BMQ613	BMQ618	BMQ621	BMQ624	BMQ626	BMQ632
	Morse Cobra *	13Q	18Q	21Q	—	26Q	—
	Morse Raider	713F	718F	721F	724F	726F	732F
	Ohio Gear	BMQ2133	BMQ2175	BMQ2206	BMQ2238	BMQ2262	BMQ2325
Winsmith *	913MDN	917MDN	920MDN	924MDN	926MDN	—	
C-FACE INPUT HOLLOW BORE OUTPUT 	WorldWide Electric	HdRF133-H	HdRF175-H	HdRF206-H	HdRF237-H	HdRF262-H	HdRF325-H
	Alling Lander	13YF	17YF	20YF	23YF	26YF	32YF
	Baldor	HF913	HF918	HF921	HF924	HF926	HF932
	Boston	HF713	HF718	HF721	HF724	HF726	HF732
	Browning - Raider	QH133	QH175	QH206	QH237	QH262	QH325
	Electra *	—	MHSC17	MHSC21	—	MHSC26	—
	Falk - Omnibox	1133WBQM	1175WBQM	1206WBQM	1238WBQM	1262WBQM	1325WBQM
	Grove (New)	HMQ213	HMQ218	HMQ220	HMQ224	HMQ226	HMQ232
	Grove (Old)	HMQ1133	HMQ1175	HMQ1206	HMQ1238	HMQ1262	HMQ1325
	Hub City *	—	185	215	—	265	325
	Leeson	HMQ613	HMQ618	HMQ621	HMQ624	HMQ626	HMQ632
	Morse Cobra *	13QH	18QH	21QH	—	26QH	—
	Morse Raider	713SF	718SF	721SF	724SF	726SF	732SF
	Ohio Gear	SM2133MQ	SM2175MQ	SM2206MQ	SM2238MQ	SM2262MQ	SM2325MQ
	Winsmith *	—	917MDSN	920MDSN	924MDSN	926MDSN	—
SHAFT INPUT SHAFT OUTPUT 	WorldWide Electric	HdRS133	HdRS175	HdRS206	HdRS237	HdRS262	HdRS325
	Alling Lander	13U	17U	20U	23U	26U	32U
	Baldor	S913	S918	S921	S924	S926	S932
	Boston	713	718	721	724	726	732
	Browning - Raider	U133	U175	U206	U237	U262	U325
	Dodge - Tigear	S133	S175	S200	—	S262	—
	Electra *	M13	M17	M21	—	M26	—
	Falk - Omnibox	1133WB	1175WB	1206WB	1238WB	1262WB	1325WB
	Grove (New)	B213	B218	B220	B224	B226	B232
	Grove (Old)	B1133	B1175	B1206	B1238	B1262	B1325
	Hub City *	131	181	211	—	261	321
	Leeson	B613	B618	B621	B624	B626	B632
	Morse Cobra *	13U	18U	21U	—	26U	—
	Morse Raider	713B	718B	721B	724B	726B	732B
	Ohio Gear	B2133	B2175	B2206	B2238	B2262	B2325
Winsmith *	913DN	917DN	920DN	924DN	926DN	—	

* WorldWide worm gearboxes are not dimensionally interchangeable with these manufacturers.
 ** WorldWide hollow bore worm gearboxes have only one output diameter bore available per center distance.

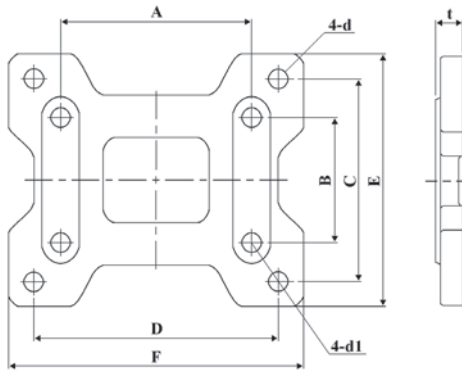
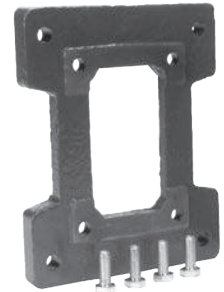
HD Cast Iron Worm Gear Reducers: Accessories and Parts

Mounting Bases

Product Specifications

- » Box Sizes 1.33 - 3.25
- » Includes Mounting Bolts

Box Size	Model Number	List Price
133	HdRBASE133	\$30.52
154	HdRBASE154	\$34.33
175	HdRBASE175	\$38.15
206	HdRBASE206	\$45.77
237	HdRBASE237	\$53.41
262	HdRBASE262	\$61.04
325	HdRBASE325	\$68.66



All dimensions in inches									
Box Size	A	B	C	D	E	F	t	d	d1
133	3.25	2.00	3.31	4.38	4.19	5.38	0.53	11/32	3/8
154	4.19	2.75	4.31	5.25	5.44	6.44	0.59	11/32	3/8
175	4.19	2.75	4.50	5.75	5.69	7.00	0.69	13/32	3/8
206	5.00	2.88	4.69	6.38	5.94	7.75	0.72	15/32	7/16
237	5.00	2.88	4.88	7.06	6.22	8.50	0.75	15/32	7/16
262	6.38	3.38	5.25	8.00	6.66	9.63	0.75	17/32	7/16
325	7.50	4.00	6.13	9.50	7.66	11.19	0.88	17/32	1/2

HD Cast Iron Worm Gear Reducers: Accessories and Parts

Miscellaneous Parts

Model Number	Description	List Price
Breather Plugs		
HdR-BPBRASSALL	BREATHER PLUG HdRF133-HdRF262 / HdRS133-HdRS262	\$8.23
HdR-BPBRASS325	BREATHER PLUG HdRF325 / HdRS325	\$10.92
Bearings / Input		
HdR-PBA30203	INPUT BEARING HdRF133-HdRF206	\$34.21
HdR-PBA30204	INPUT BEARING HdRS133	\$29.05
HdR-PBA30205	INPUT BEARING HdRF237-HdRF262 / HdRS175-HdRS206	\$32.11
HdR-PBA30206	INPUT BEARING HdRF133-HdRF206 / HdRF325	\$36.89
HdR-PBA30207	INPUT BEARING HdRS325	\$46.45
Bearings / Output		
HdR-PBA30204	OUTPUT BEARING HdRF133 / HdRS133	\$29.05
HdR-PBA30206	OUTPUT BEARING HdRF175-HdRF206 / HdRS175-HdRS206	\$36.89
HdR-PBA30207	OUTPUT BEARING HdRF237-HdRF262 / HdRS237-HdRS262	\$46.45
HdR-PBA30208	OUTPUT BEARING HdRF325 / HdRS325	\$55.23
HdR-PBA32008	OUTPUT BEARING HdRF175 HOLLOW BORE	\$72.63
HdR-PBA32009	OUTPUT BEARING HdRF206 HOLLOW BORE	\$88.87
HdR-PBA32010	OUTPUT BEARING HdRF237 HOLLOW BORE	\$102.06
HdR-PBA32012	OUTPUT BEARING HdRF262 HOLLOW BORE	\$148.32
HdR-PBA32014	OUTPUT BEARING HdRF325 HOLLOW BORE	\$228.02
Input Flanges		
HdR-KFYG0331651	INPUT FLANGE HdRF133-HdRF154 (56C)	\$101.43
HdR-KFYG0451651	INPUT FLANGE HdRF175-HdRF206 (56C)	\$109.08
HdR-KFYG0611651	INPUT FLANGE HdRF237-HdRF262 (56C/145TC)	\$112.59
HdR-KFYG0612281	INPUT FLANGE HdRF262 (182/4TC)	\$208.52
HdR-KFYG0831651	INPUT FLANGE HdRF325 (56C/145TC)	\$128.54
HdR-KFYG0832281	INPUT FLANGE HdRF325 (182/4TC)	\$243.47
Oil Seals / Sealed		
HdR-PSS000040087	OIL SEAL / SEALED HdRF133-HdRF206	\$10.00
HdR-PSS000052079	OIL SEAL / SEALED HdRF237-HdRF262	\$16.15
HdR-PSS000062107	OIL SEAL / SEALED HdRF325	\$22.85

Model Number	Description	List Price
Oil Seals / Input		
HdR-PSS030042081	OIL SEAL / INPUT HdRF133-HdRF325 (56C)	\$12.99
HdR-PSS035042081	OIL SEAL / INPUT HdRF237-HdRF262 (145TC)	\$10.14
HdR-PSS045062081	OIL SEAL / INPUT HdRF262-HdRF325 (182/4TC)	\$10.14
HdR-PSS045062081	OIL SEAL / INPUT HdRF325 (145TC)	\$10.14
HdR-PSS017035071	OIL SEAL / INPUT HdRS133 (56C)	\$9.18
HdR-PSS020035081	OIL SEAL / INPUT HdRS175-HdRS206 (56C)	\$8.17
HdR-PSS025035061	OIL SEAL / INPUT HdRS237-HdRS262 (56C)	\$9.18
HdR-PSS030040071	OIL SEAL / INPUT HdRS325-(56C)	\$10.14
Oil Seals / Output		
HdR-PSS020032061	OIL SEAL / OUTPUT HdRF133 / HdRS133	\$9.05
HdR-PSS025045081	OIL SEAL / OUTPUT HdRF175 / HdRS175	\$13.81
HdR-PSS030047061	OIL SEAL / OUTPUT HdRF206 / HdRS206	\$15.71
HdR-PSS035050081	OIL SEAL / OUTPUT HdRF237 / HdRS237	\$12.85
HdR-PSS035055081	OIL SEAL / OUTPUT HdRF262 / HdRS262	\$14.76
HdR-PSS040055081	OIL SEAL / OUTPUT HdRF325 / HdRS325	\$12.85
HdR-PSS040062121	OIL SEAL / OUTPUT HdRF175 HOLLOW BORE	\$23.81
HdR-PSS045068121	OIL SEAL / OUTPUT HdRF206 HOLLOW BORE	\$27.61
HdR-PSS050072121	OIL SEAL / OUTPUT HdRF237 HOLLOW BORE	\$23.85
HdR-PSS060082121	OIL SEAL / OUTPUT HdRF262 HOLLOW BORE	\$30.00
HdR-PSS070095131	OIL SEAL / OUTPUT HdRF325 HOLLOW BORE	\$38.08
Set Screws		
HdR-H-PTCB10006F	SET SCREW HdRF133-HdRF175 / HdRS133-HdRS175	\$1.38
HdR-H-PTCB02009F	SET SCREW HdRF206-HdRF237 / HdRS206-HdRS237	\$1.38
HdR-H-PTCB02011F	SET SCREW HdRF262 / HdRS262	\$1.38
HdR-H-PTCBH2009F	SET SCREW HdRF325 / HdRS325	\$1.38